

Parts Catalog

ape City 200

PLATE INDEX

Sr No.	Plate Name	Plate No.	Page No.
1	Eng.200 4S/3V BIII Air Ape Pax India	1	1-2
2	Clutch Cover Assembly	2	3-4
3	Clutch Group	3	5-6
4	Oil Pump Assembly	4	7-8
5	Complete Differential Gear	5	9-10
6	Differential Gear Cover With P.I.	6	11-12
7	Intake Fitting - Carburetor	7	13-14
8	Carburetor	8	15-16
9	Complete Crankcase	9	17-18
10	Cylinder Head With I.P.	10	19-20
11	Crankshaft Assembly	11	21-22
12	Aircooling Circuit Components	12	23-24
13	Timing Group	13	25-26
14	Cylinder- Piston Group	14	27-28
15	Electric Starting Group	15	29-30
16	Gear Group	16	31-32
17	Differential Gear Group	17	33-34
18	Engine Support	18	35-38
19	Fuel Tank/Filter/Fuel Pipes	19	39-40
20	Wind Shield/Glass/Beading	20	41-42
21	Main Frame/Driver Seat/Battery Bkt//Nose/Fr. Mud/M	21	43-46
22	Rear Suspension	23	47-50
23	Inner Parts Of Cabin	22	51-52
24	Steering Column And Front Suspension	24	53-56
25	Handle Bar And Control	25	57-58
26	Brake - Tandem Master Cylinder ,Brake Pipe And Han	26	59-62
27	Electrical Devices	27	63-66
28	Electrical Devices	28	67-68
29	Passenger Auto Rikshaw Body	29	69-74
30	Wiring Harness	30	75-76

PLATE INDEX

Sr No.	Plate Name	Plate No.	Page No.
31	Front Brake Assembly	31	77-78
32	Rear Brake Assembly	32	79-80
33	Cables	33	81-82
34	CNG Kit	34	83-84
35	Two Stage CNG Regulator	35	85-88
36	First Stage Reduction Unit	36	89-90
37	LPG Kit	37	91-92
38	Two Stage LPG Regulator	38	93-94

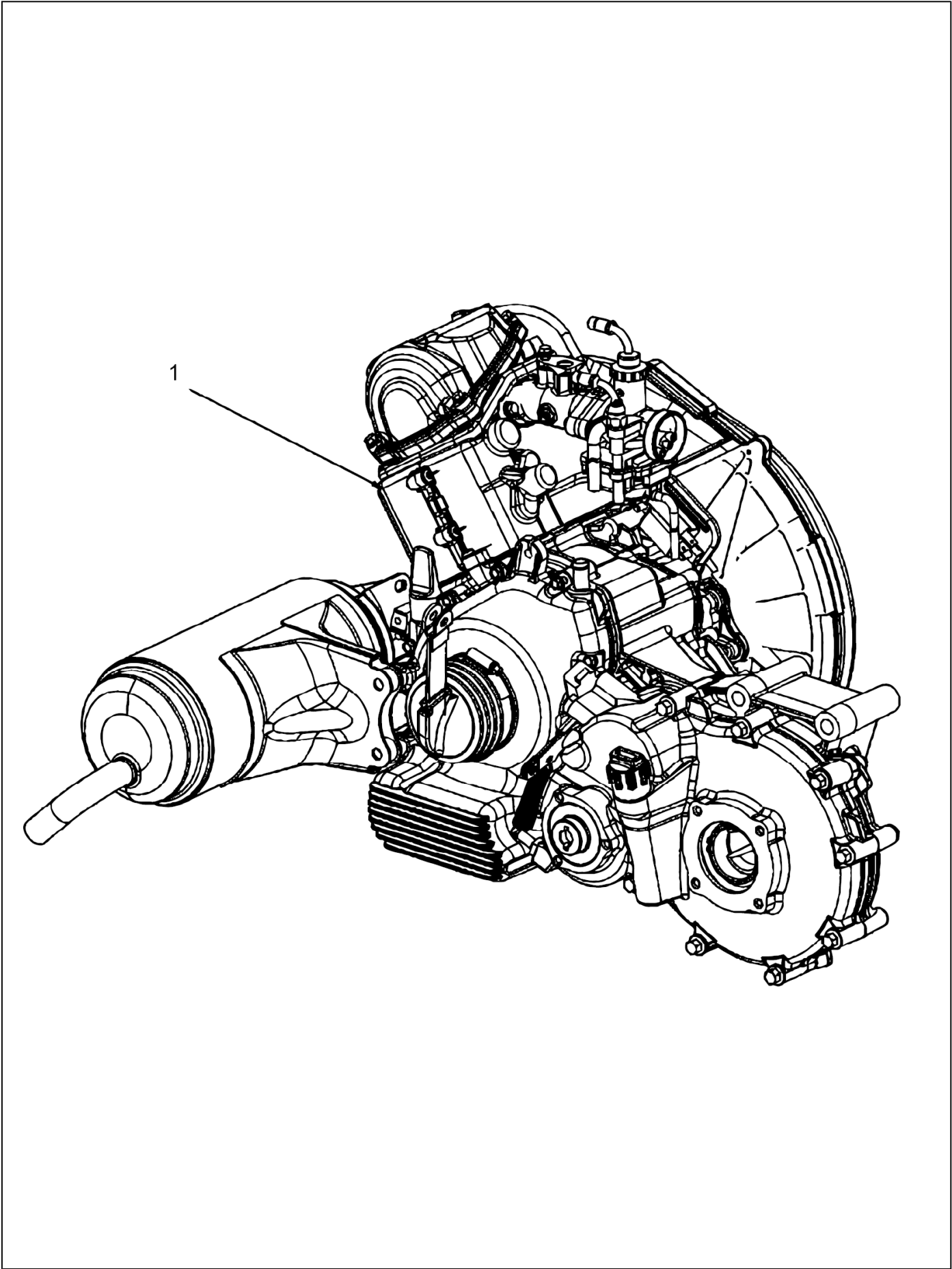


PLATE-1

Eng.200 4S/3V BIII Air Ape Pax India



Fig. No.	Part No.	Description	Qty
1	CM168801	ENGINE ASSY - PETROL	1
	CM168802	ENGINE ASSY - LPG	1
	CM168803	ENGINE ASSY - CNG	1

PLATE-2
Clutch Cover Assembly

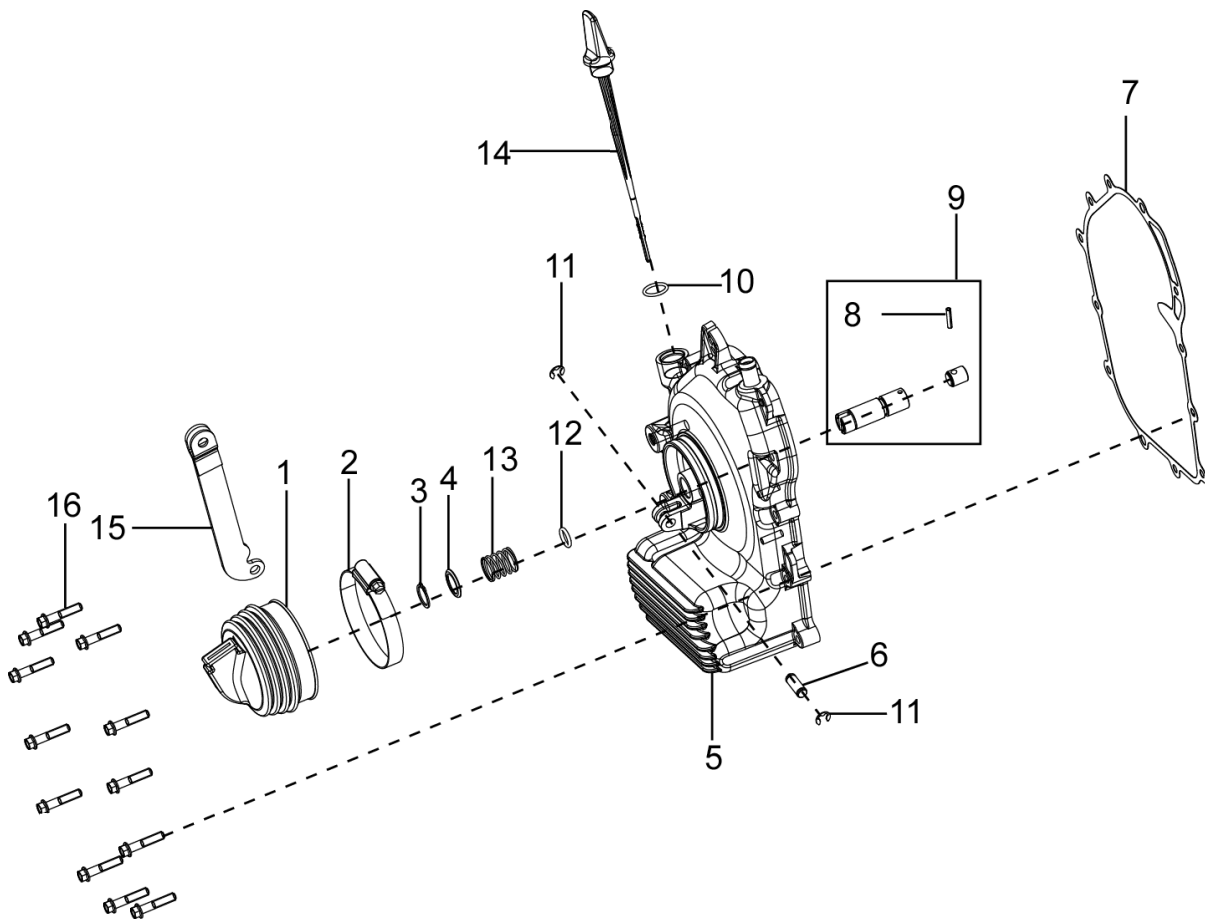


PLATE-2**Clutch Cover Assembly**

Fig. No.	Part No.	Description	Qty
1	127012019	BELLOW CLUTCH ACTUATING	1
2	120170018	HOSE CLIP - CLUTCH COVER BELOW	1
3	842001600	CIRCLIP DIA.16(EXT)	1
4	120164019	RETAINING PLATE	1
5	B015863	CLUTCH COVER WITH P.I.	1
6	127013013	PIN CLUTCH	1
7	B018549	CLUTCH COVER GASKET	1
8	822031942	SPRING PIN 3 X 19	1
9	B018947	PLUNGER SHAFT ASSY	1
10	479986	O-RING GASKET	1
11	843000809	CIRCLIP DIA.8(EXT) TYPE C	2
12	B019220	O- RING (PLUNGER SHAFT)	1
13	127185012	SPRING - CLUTCH COVER	1
14	B016472	OIL DIPSTICK ASSY	1
15	127460010	LINK ASSLY - CLUTCH (IMPROVED)	1
16	B018853	HEXAG. HEAD SCREW (M6X30)	12

PLATE-3
Clutch Group

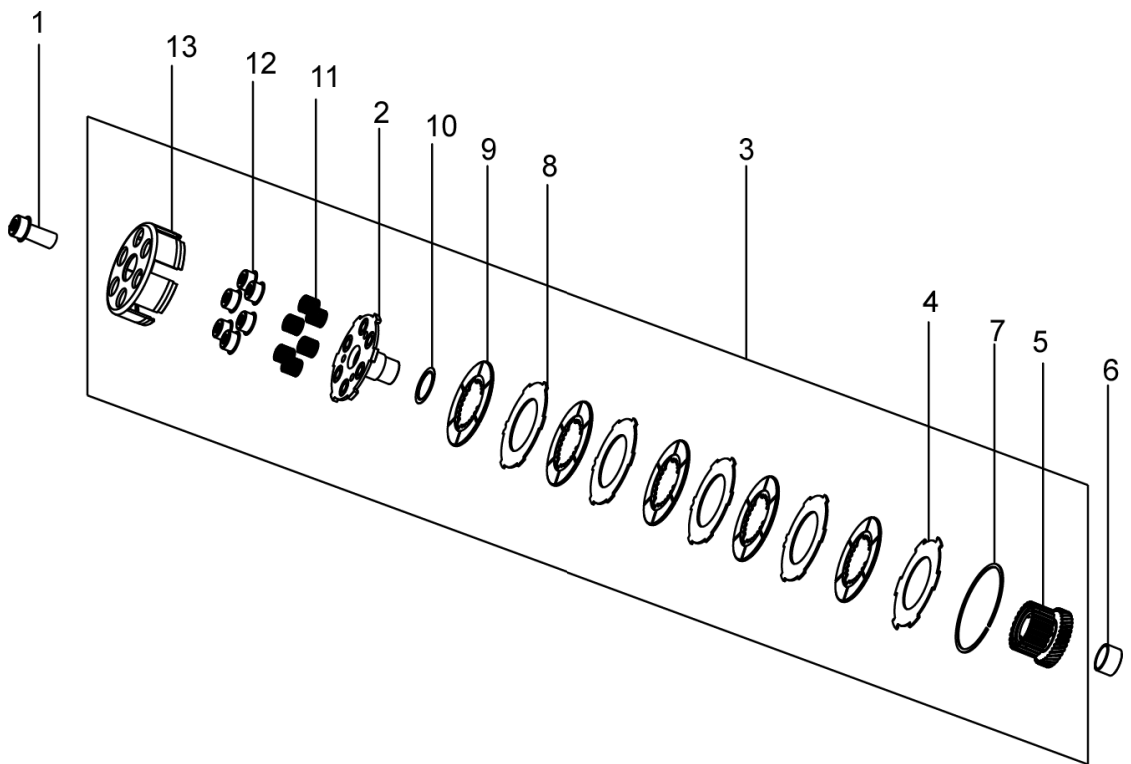


PLATE-3
Clutch Group



Fig. No.	Part No.	Description	Qty
1	B018678	SCREW M8X30	1
2	B016033	CLUTCH HUB WITH P.I.	1
3	B016103	COMPLETE CLUTCH ASSLY	1
4	127693019	PRESSURE PLATE OUTER (VE)	1
5	B015862	ENGINE GEAR	1
6	B016160	SPACER WASHER	1
7	127754019	CIRCLIP - CLUTCH BOX	1
8	127692015	DRIVING PLATE THK. 2.0 MM	4
9	127530011	DRIVEN PLATE ASLY	5
10	127758015	SHIM	1
11	B023890	CLUTCH SPRING	6
12	127757011	CUP - CLUTCH SPRING	6
13	127691011	CLUTCH BOX	1

PLATE-4
Oil Pump Assembly

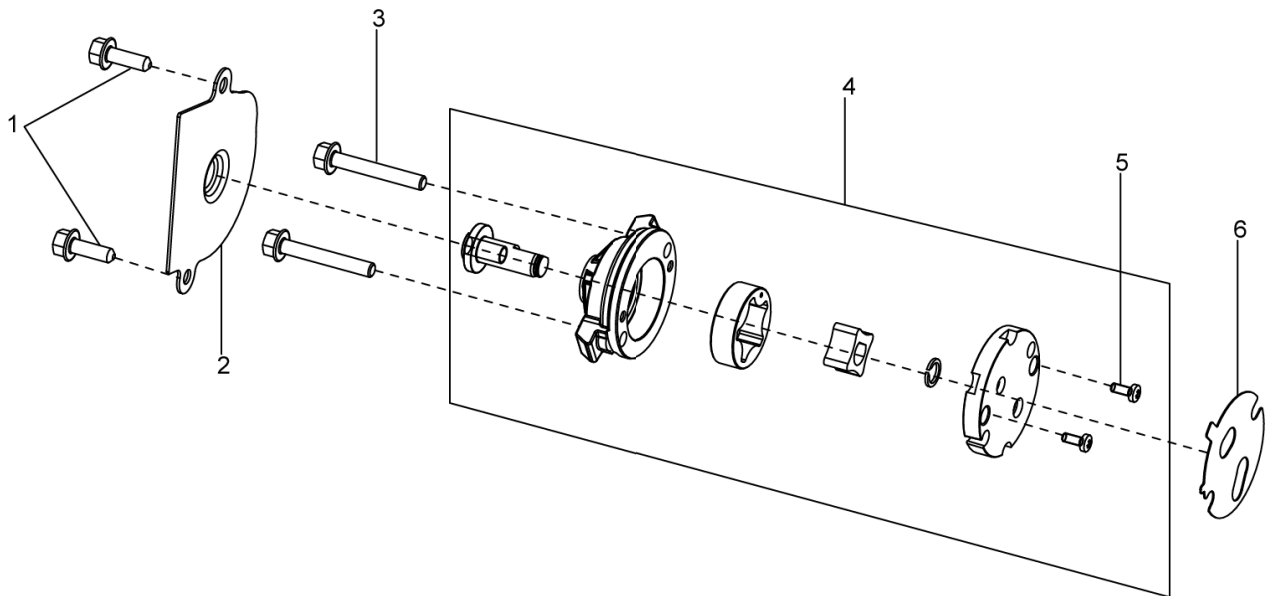


PLATE-4**Oil Pump Assembly**

Fig. No.	Part No.	Description	Qty
1	830061	FLANGED HEXAGONAL HEAD SCREW	2
2	B018401	OIL BULKHEAD	1
3	829593	FLANGED HEXAGONAL HEAD SCREW	2
4	82948R	OIL PUMP ASSEMBLY	1
6	B015943	CRANKCASE/ OIL PUMP GASKET	1

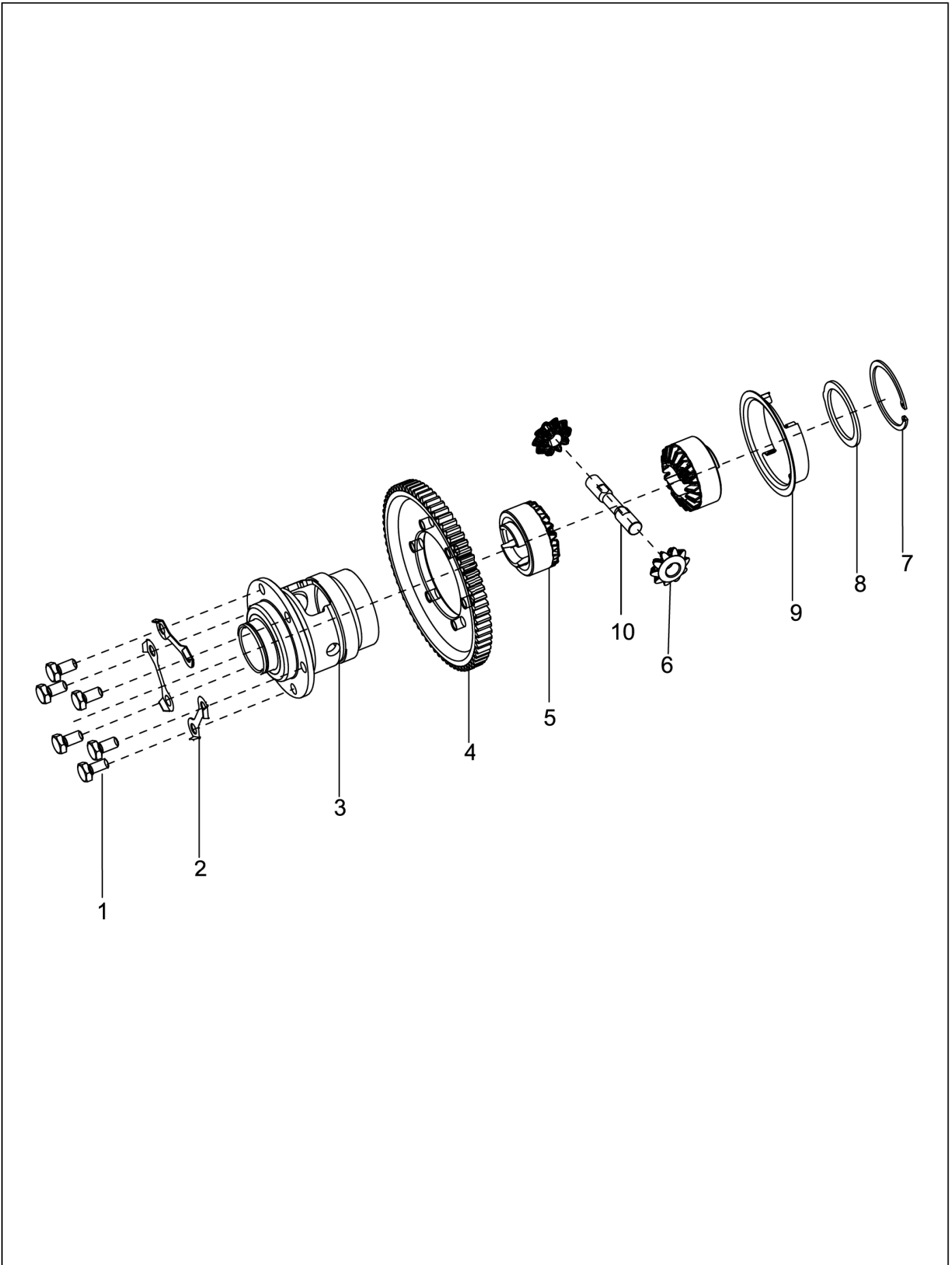


PLATE-5**Complete Differential Gear**

Fig. No.	Part No.	Description	Qty
1	B003163	HEX SCREW	6
2	B003155	LOCK PLATE	3
3	288730	DIFFERENTIAL CAGE	1
4	B017135	DIFFERENTIAL CROWN - PETROL / LPG	1
	B015818	DIFFERENTIAL CROWN - CNG	1
5	132136R	GEAR SUN	2
6	165155R	DIFFERENTIAL GEAR	2
7	132134	CIRCLIP	1
8	220575	WASHER 65X3	1
9	132244	STOPPER THK=1.0	1
10	132129	PIN	1

PLATE-6

Differential Gear Cover With P.I.

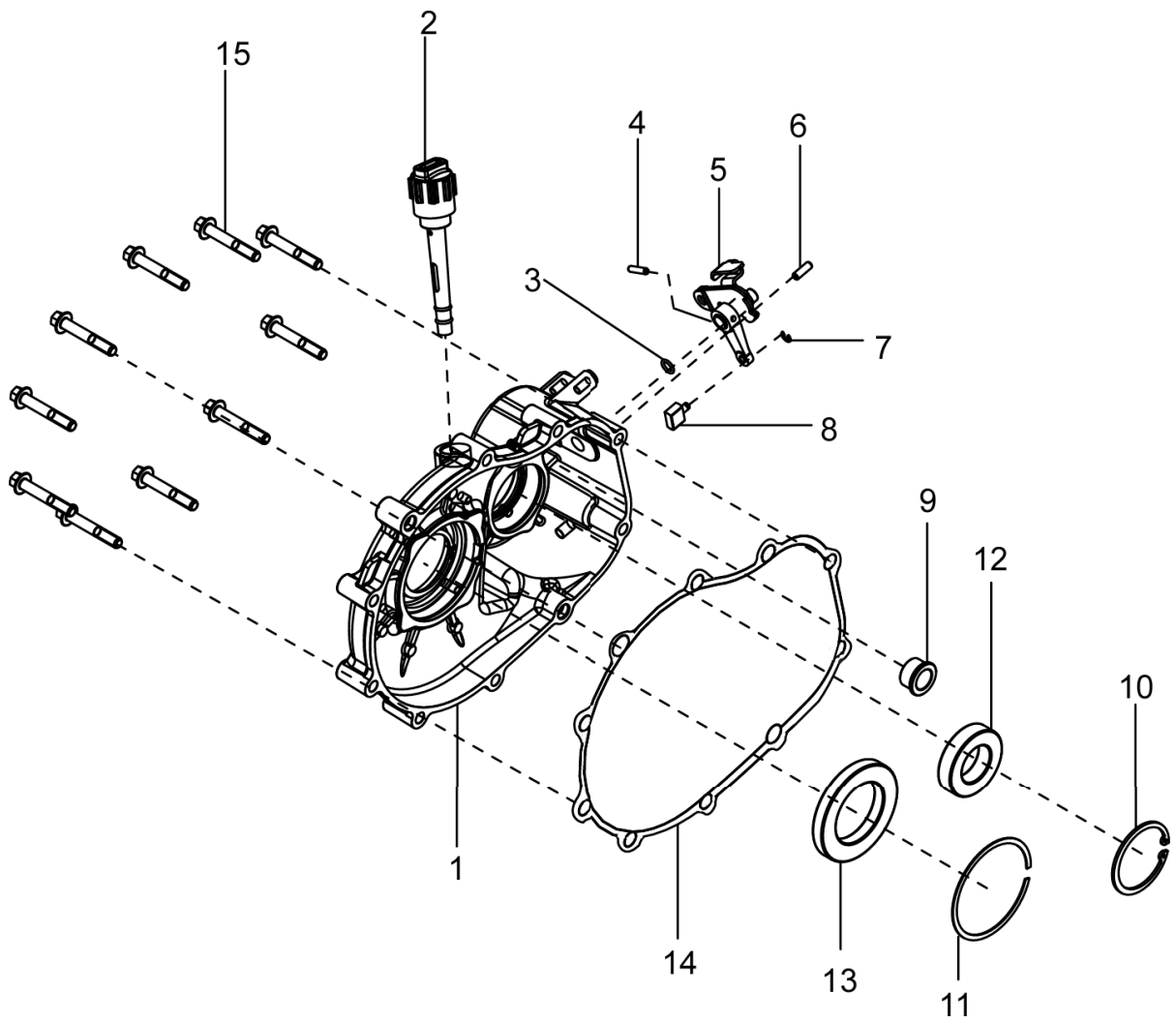


PLATE-6**Differential Gear Cover With P.I.**

Fig. No.	Part No.	Description	Qty
1	B019214	DIFFERENTIAL COVER	1
2	112898	OIL LEVEL ARM WITH PLUG	1
3	632191	O - RING	1
4	17702	SPRING PIN	1
5	B0174924	COMPL. INVERTER LEVER SECTOR PET AND LPG	1
	B018672	COMPLETE INVERTER LEVER SECTOR CNG	1
6	822051647	SPRING PIN 5X16	1
7	843000500	CIRCLIP DIA.5 (EXT) TYPE C	1
8	B017493	SLIDER - PETROL / LPG	1
	B018673	SLIDER - CNG	1
9	120302013	BUSH	1
10	841005506	CIRCLIP DIA. 55 (INT)	1
11	111353	CIRCLIP	1
12	880305509R	DEEP GROOVE BALL BEARING 30X55X13	1
13	7066R	RADIAL BALL BEARING	1
14	B015875	DIFFERENTIAL COVER GASKET	1
15	B016621	SCREW M8X50	12

PLATE-7
Intake Fitting - Carburetor

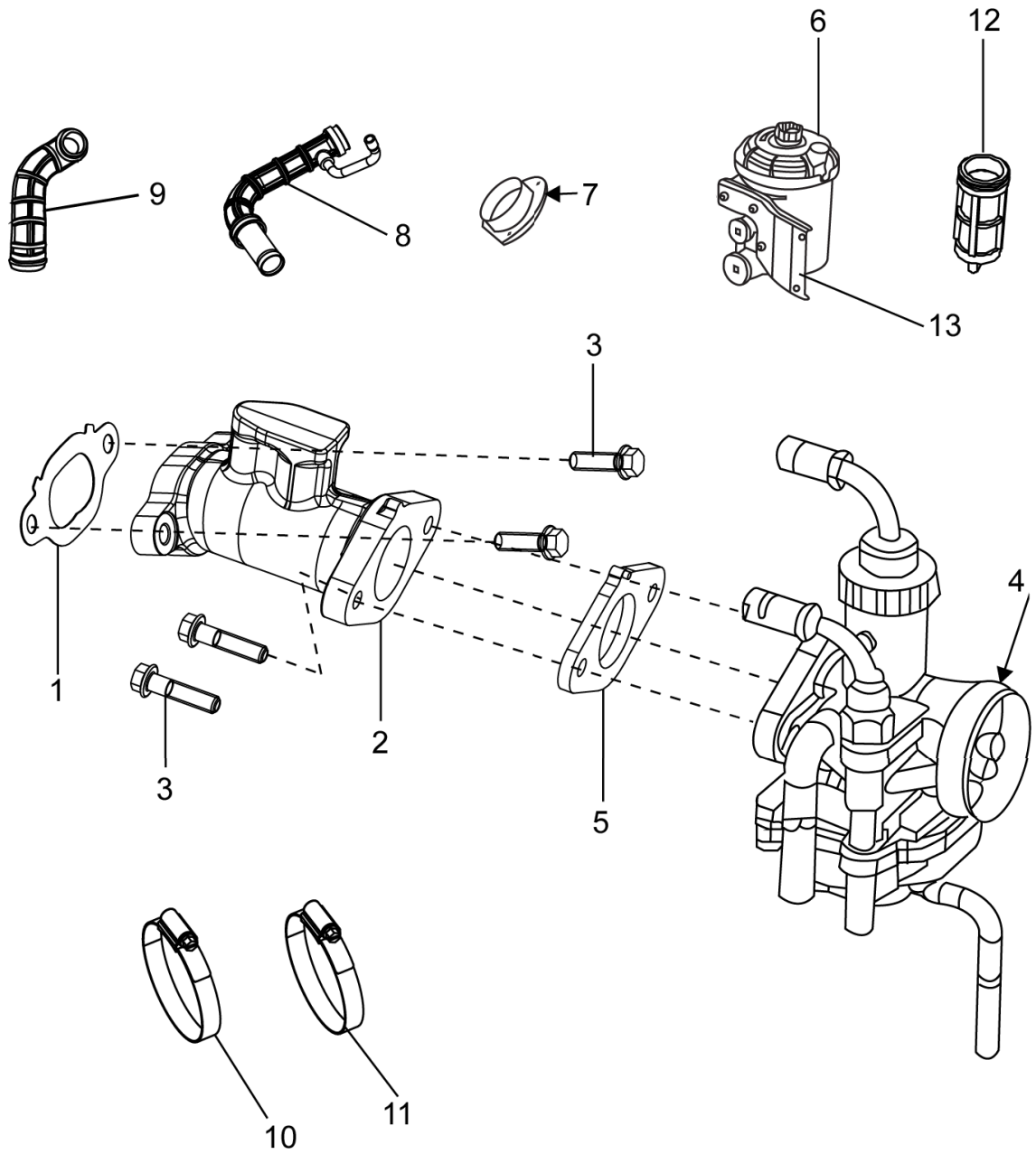


PLATE-7**Intake Fitting - Carburetor**

Fig. No.	Part No.	Description	Qty
1	B018442	INTAKE FITTING GASKET	1
2	B018775	INTAKE FITTING	1
3	18639	SCREW M6X20	4
4	CM166104	CARBURETOR UVD 22 PETROL	1
	CM166102	CARBURETOR UVD 22-LPG	1
	CM166103	CARBURETOR UVD 22-CNG	1
5	B016016	INTAKE FITTING GASKET WITH O-RING	1
6	B003605	AIR FILTER ASSEMBLY W/O MTG BKT	1
7	B024936	RESTRICTOR AIR FILTER INLET	1
	B024937	RESTRICTOR AIR FILTER INLET - PETROL	1
8	B018072	CARB./AIR BOX COUPLING (PETROL)	1
	B017443	CARB./AIR BOX COUPLING (CNG/LPG)	1
9	B017480	AIR BOX SNORKEL	1
10	604756	HOSE CLIP	1
11	604553	WORM CLIP	1
12	932279	AIR FILTER ELEMENT	1
13	B008924	AIR FILTER MTG. BKT. (NI)	1

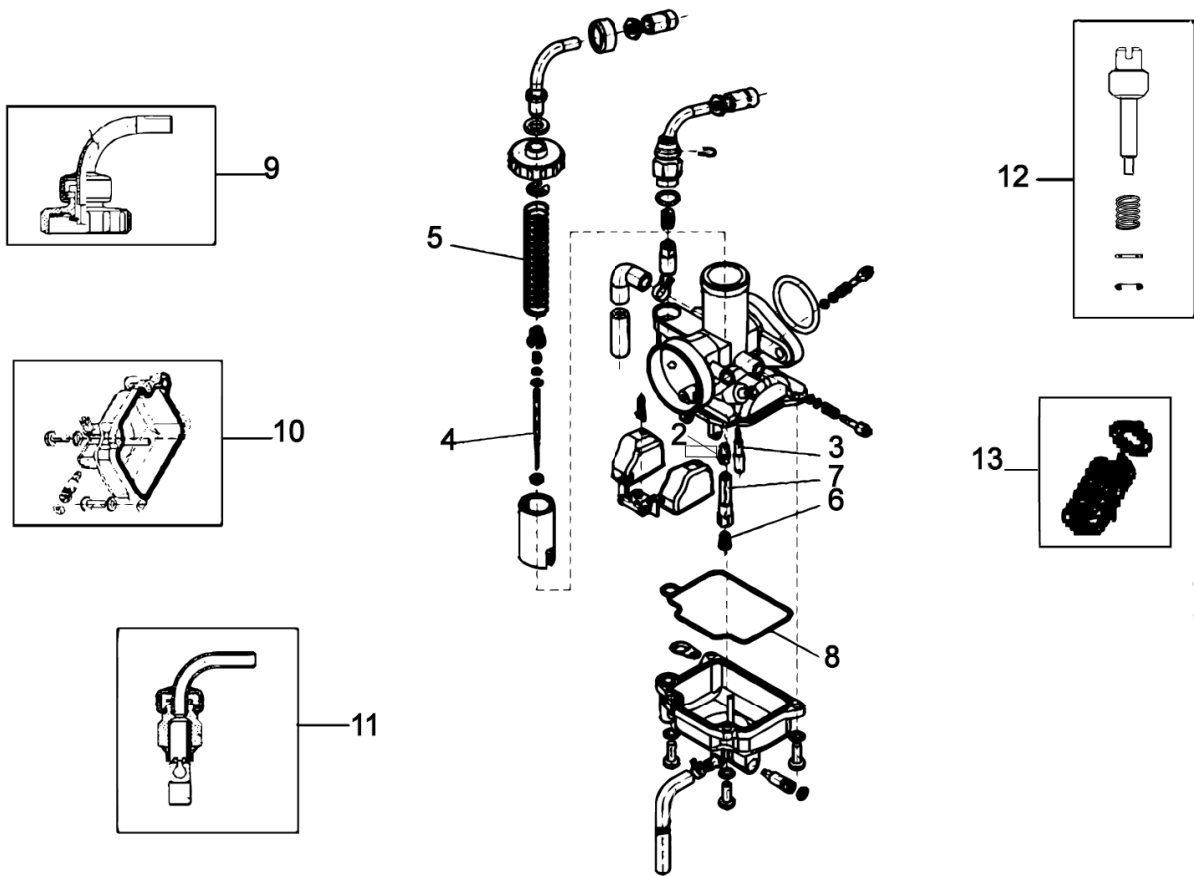


PLATE-8
Carburetor



Fig. No.	Part No.	Description	Qty
2	B019344	NEEDLE JET (PETROL/LPG)	1
	B017541	NEEDLE JET (CNG)	1
3	CM167802	PILOT JET (CNG/LPG)	1
	CM167803	PILOT JET (PETROL)	1
4	B019342	JET NEEDLE (PETROL)	1
	B019343	JET NEEDLE (CNG)	1
5	B016829	SPRING (PV)	1
6	CM167704	MAIN JET (CNG)	1
	CM167706	MAIN JET (PETROL)	1
	CM167708	MAIN JET (LPG)	1
7	CM167901	JET HOLDER (PETROL)	1
	CM167902	JET HOLDER (CNG/LPG)	1
8	B016834	O-RING (FCB)	1
9	B016825	MIXING CAP ASSY KIT	1
10	B016822	FLOAT CHAMBER BODY ASSY KIT	1
11	1A000542	STARTER KIT	1
12	B016826	AIR SCREW KIT	1
13	B016828	IDLE ADJUSTER KIT	1
15	B016827	THROTTLE VALVE	1

PLATE-9
Complete Crankcase

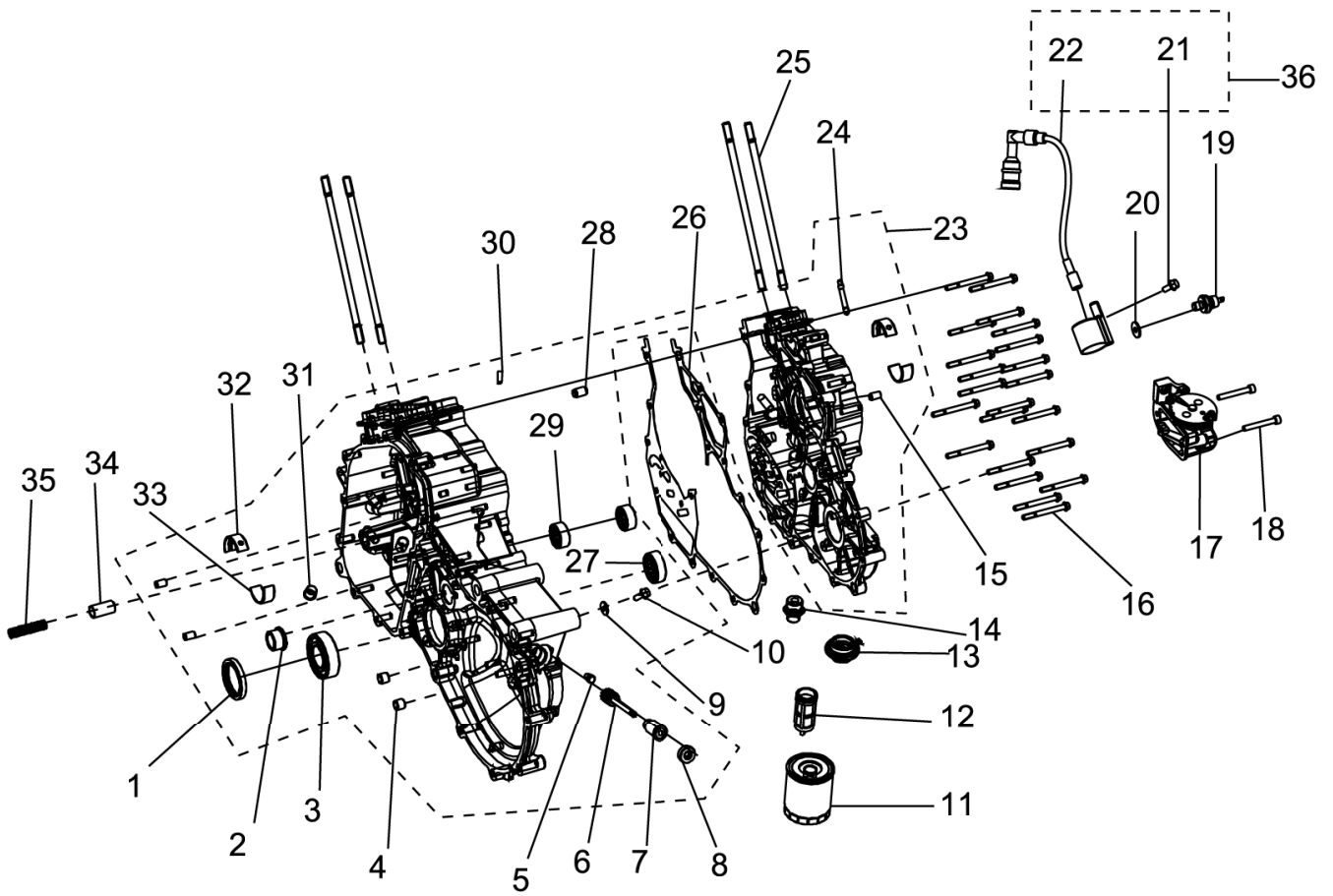


PLATE-9**Complete Crankcase**

Fig. No.	Part No.	Description	Qty
1	1A002685	SEAL RING 35X47X6	1
2	120302013	BUSH	1
3	880255211R	DEEP GROOVE BALL BEARING 25X52X15	1
4	B015591	REFERENCE DOWEL	2
5	165121014	PIN	1
6	117404	SPEEDOMETER GEAR	1
7	117401	BUSH	1
8	117402	OIL SEAL	1
9	B017178	WASHER	1
10	B018848	SCREW	1
11	82635R	COMPLETE OIL FILTER	1
12	83065R	INTAKE OIL FILTER COMPLETE	1
13	B015598	OIL FILTER PLUG	1
14	B016856	OIL FILTER SCREW	1
15	277916	DOWEL (Ø7,5, H=12)	4
16	432142	HEXAGONAL RANGE HEAD SCREW (M6X35)	22
17	127640012	COMPLETE GEAR SHIFTER HSG ASSLY	1
18	819064530	SOCKET HEAD CAP SCREW M6X45	2
19	641541	MIN.PRESSURE OIL SWITCH N.C.	1
20	AP9150472	WASHER	1
21	414837	SCREW M6X20	2
22	642537	PROTECTION CAP	1
23	B018598	COMPLETE CRANKCASE	1
24	B019246	DOWEL	1
25	B014755	STUD SCREW	4
26	B015941	HALF-CRANKCASE GASKET	1
27	120212012	NEEDLE BUSH	1
28	B015592	REFERENCE DOWEL (D.9,5 H=15)	2
29	884222808	NEEDLE BUSH 22X28X12	2
30	484034	SIZING NOZZLE	1
31	411311	TAPER THREAD PLUG	1
32	B015872	CRANKSHAFT STUB UPPER HALF BEARING	2
33	B015873	CRANKSHAFT STUB LOWER HALF BEARING	2
34	829661	OIL PRES.VALVE	1
35	485655	SPRING FOR OIL PRESSURE VALVE	1
36	680181	H.T.COIL COMPLETE	1
37	1A001283	OIL FILTER PROTECTION BRACKET (N.I.)	1

PLATE-10

Cylinder Head With I.P.

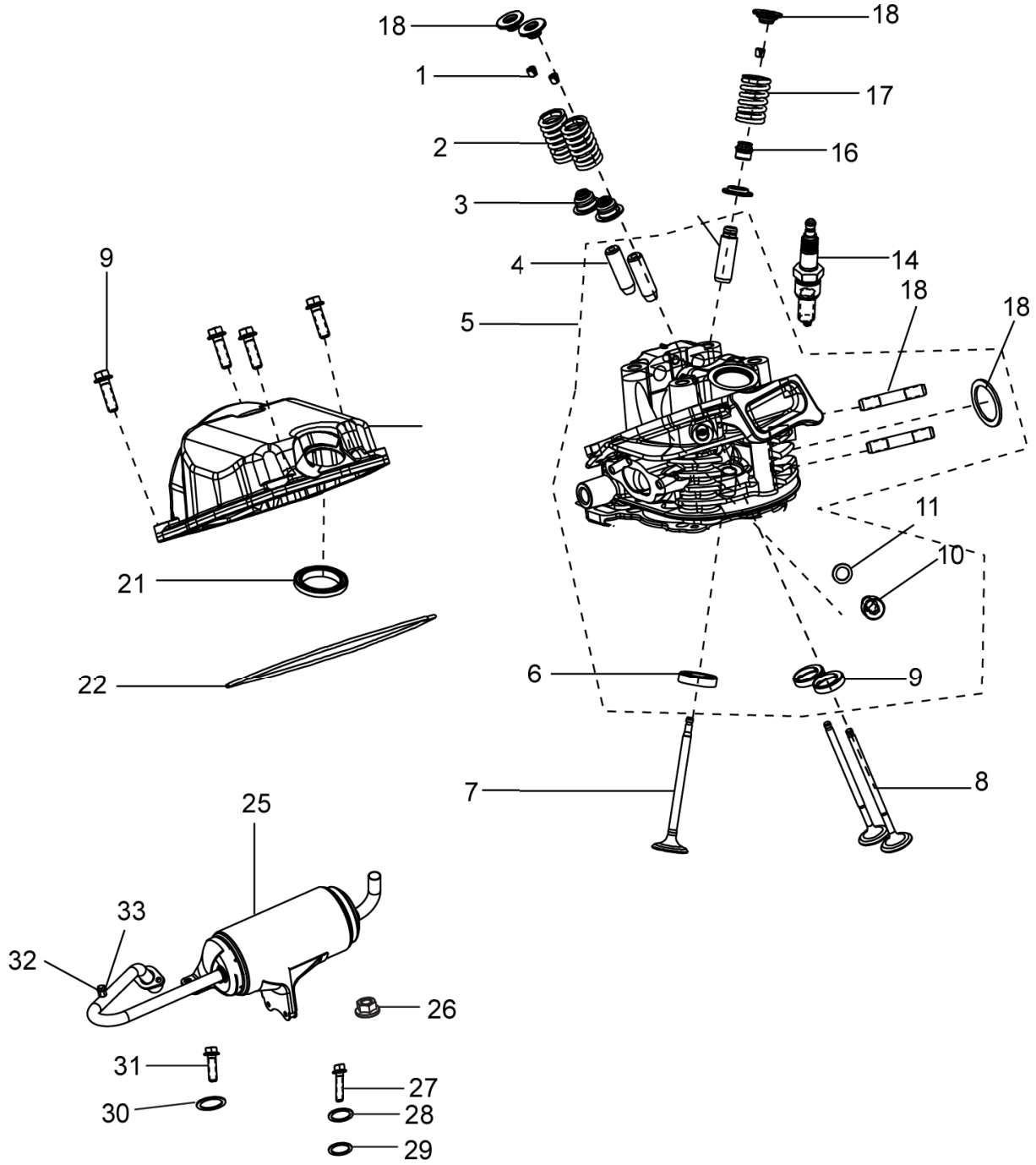


PLATE-10**Cylinder Head With I.P.**

Fig. No.	Part No.	Description	Qty
1	B015288	HALF-CONE COLLET	3
2	B014706	VALVE SPRING (INTAKE)	2
3	83053R	VALVE SEAL RING	2
4	B014680	INTAKE VALVE GUIDE	2
5	B018501	CYLINDER HEAD ASSY	1
6	B017336	EXHAUST VALVE SEAT	1
7	B017438	EXHAUST VALVE Ø22	1
8	B014684	INTAKE VALVE Ø20	2
9	B017230	INTAKE VALVE SEAT	2
10	269755	SOCKET HEAD SCREW (M8X12)	1
11	485703	WASHER	1
12	434716	CYLINDER HEAD/MUFFLER GASKET	1
13	B016368	SPECIAL STUD	2
14	643367	SPARK PLUG	1
15	B014681	EXHAUST VALVE GUIDE	1
16	83054R	VALVE SEAL RING	1
17	B014705	VALVE SPRING (EXHAUST)	1
18	B017456	UPPER CUP	3
19	018639	SCREW M6X20	4
20	B019350	HEAD COVER	1
21	B014732	SPARK PLUG HOLE GASKET	1
22	B018533	CYLINDER HEAD COVER GASKET	1
23	1U000020	VALVE SET (2 INLET & 1 OUTLET)	1
24	1U000021	VALVE GUIDE SET	1
25	B017921	MUFFLER ASSY-PETROL\LPG	1
	B019285	MUFFLER ASSY-CNG	1
26	436947	FLANGED NUT M7X1 H=8	2
27	30074	HEX HEAD BOLT M8 X 40 CL 8.8	2
28	16408	SPRING WASHER M8	2
29	3056	PLAIN WASHER	2
30	16406	SPRING WASHER	2
31	31089	HEX HEAD SCREW M6X18 CL 8.8	2
32	433122	SCREW M10X6	1
33	016195	WASHER	1

PLATE-11
Crankshaft Assembly

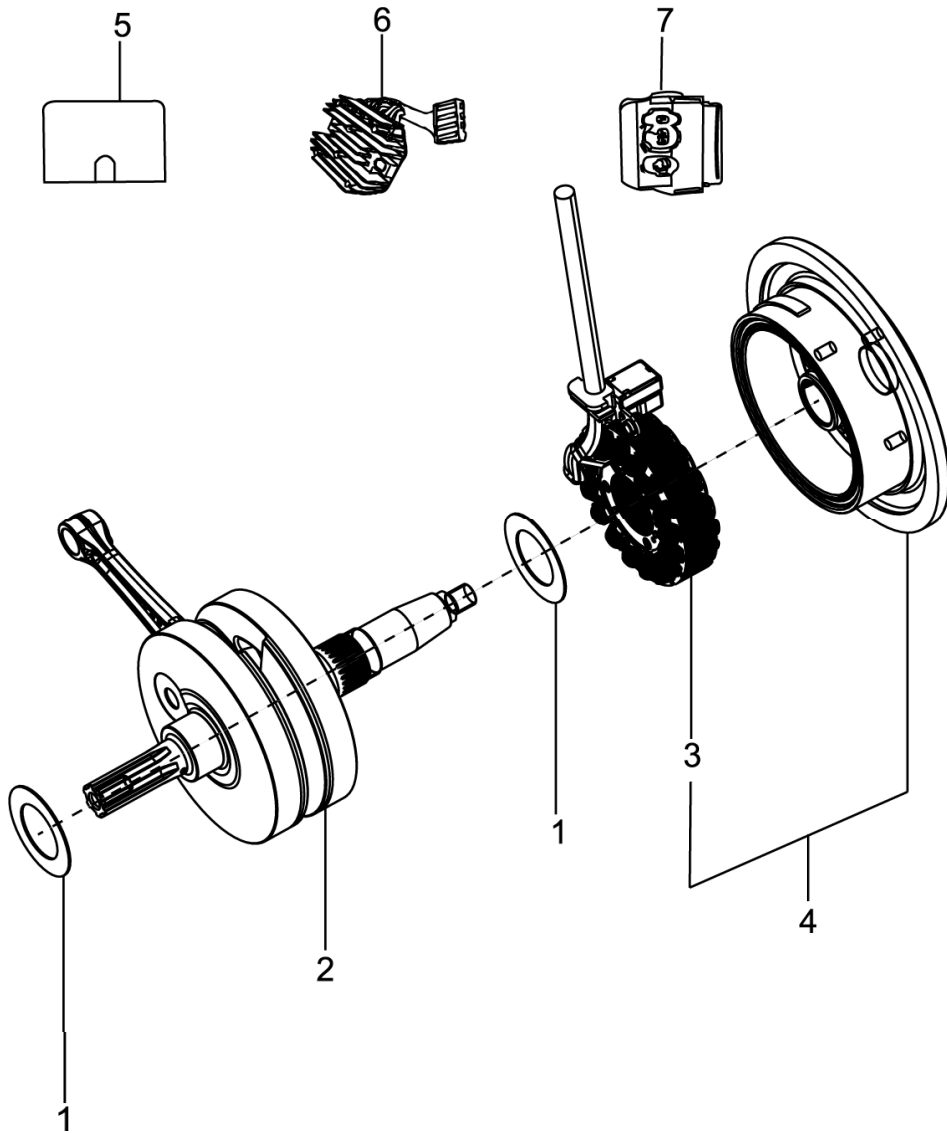


PLATE-11**Crankshaft Assembly**

Fig. No.	Part No.	Description	Qty
1	B016144	WASHER	2
2	1A001108R	CRANKSHAFT ASSEMBLY	1
3	680075	STATOR ASSLY	1
4	58295R	COMPLETE A.C.GENERATOR	1
6	B024965	VOLTAGE REGULATOR	1
7	680165	CONTROL DEVICE IGNITION (CDI) CNG	1
	643140	CONTROL DEVICE IGNITION (CDI) PETROL	1
	680164	CONTROL DEVICE IGNITION (CDI) LPG	1

PLATE-12
Aircooling Circuit Components

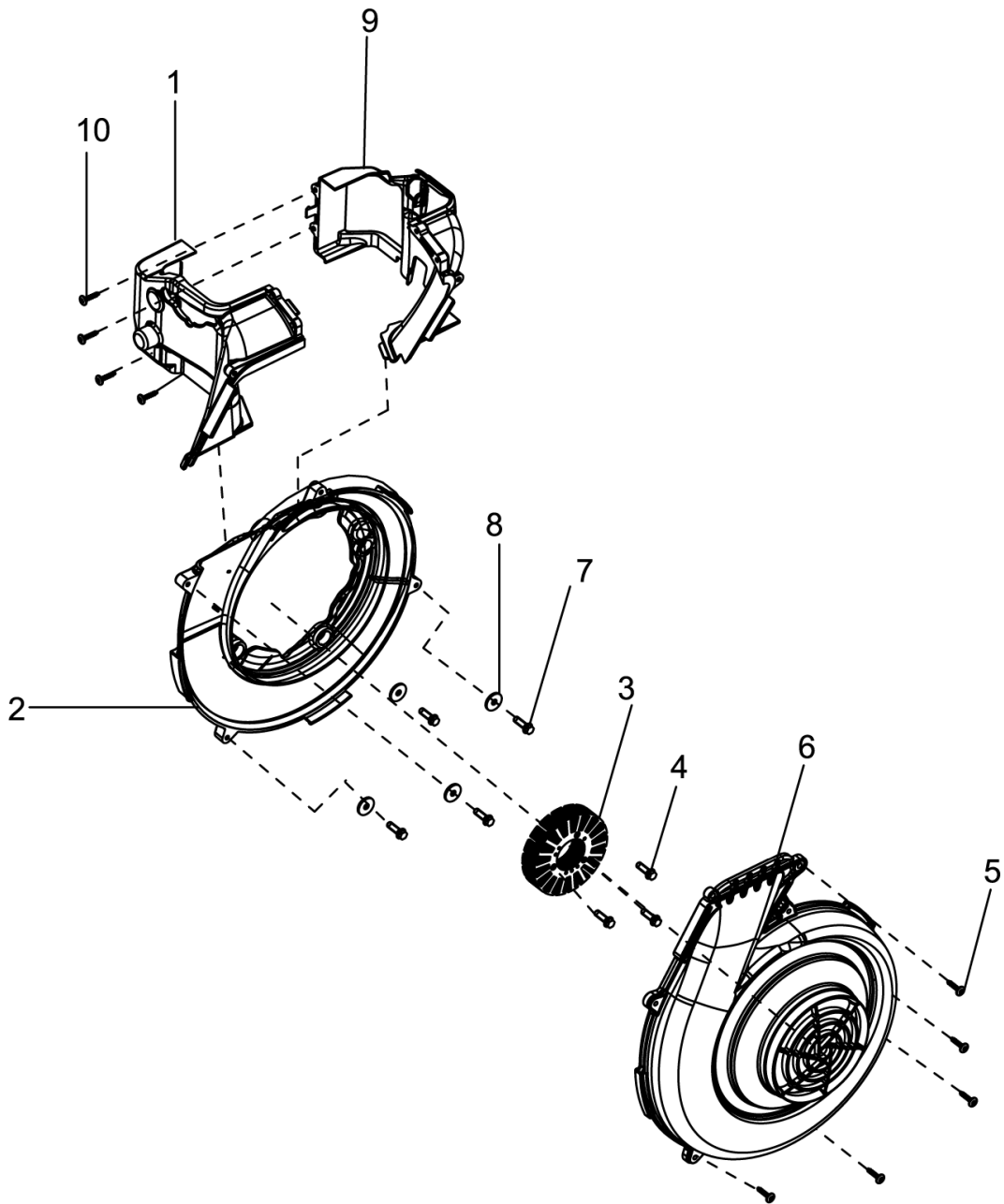


PLATE-12**Aircooling Circuit Components**

Fig. No.	Part No.	Description	Qty
1	B018023	COMPLETE SHROUD INTAKE SIDE	1
2	B015931	FAN COVER SUPPORT	1
3	1A000831	ASSY FAN	1
4	1A002691	FLANGED HEX HEAD SCREW M6X20 CL10	3
5	1A000024	SELF TAPPING SCREW (3X20)	9
6	B017377	FAN COVER	1
7	018639	SCREW M6X20	4
8	B016192	WASHER 6.2X20X2	4
9	B018025	SHROUD EXHAUST SIDE	1
10	B016620	SCREW WITH CYLINDRICAL HEAD M5X21	1

PLATE-13
Timing Group

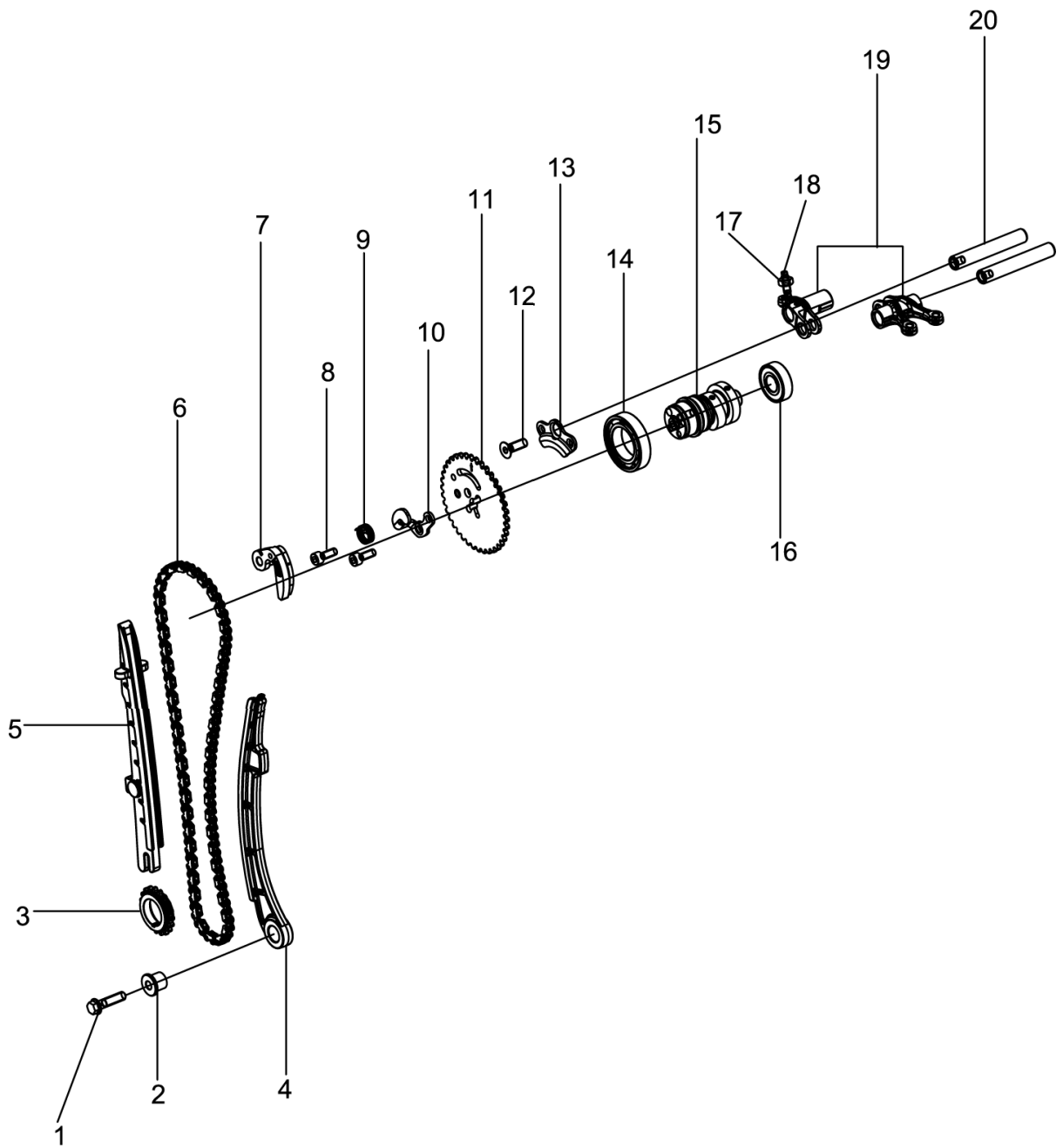


PLATE-13
Timing Group



Fig. No.	Part No.	Description	Qty
1	B016774	FLANGED HEXAGONAL SCREW M6X25	1
2	485868	SPACER FOR CHAIN TIGHTNING ROD	1
3	B015017	TIMING PINION	1
4	B014996	CHAIN TIGHTENING ROD	1
5	B014997	FIXED PAD	1
6	1A001114R	TIMING CHAIN	1
7	B014234	CENTRIFUGAL MASS WITH I.P.	1
8	B018718	EXAG. SOCKET CYLIND.HEAD SCREW M5X14	2
9	B015483	DECOMPRESSION SPRING	1
10	B015043	CENTRIFUGAL MASS CONTAINMENT SHEET	1
11	B015019	TIMING CROWN	1
12	B018946	COUNTERSUNK SCREW M6X18	1
13	B014760	CAMSHAFT CONTAINMENT SHEET-STEEL	1
14	83041R	DEEP GROOVE BALL BEARING	1
15	B017746	CAMSHAFT WITH I.P.	1
16	83040R	DEEP GROOVE BALL BEARING	1
17	B017323	VALVE ADJUSTMENT SCREW	3
18	B017431	ROCKER ARM NUT	3
19	83062R	ROCKER ARM GROUP	1
20	B017113	ROCKER ARM SHAFT	2

PLATE-14
Cylinder- Piston Group

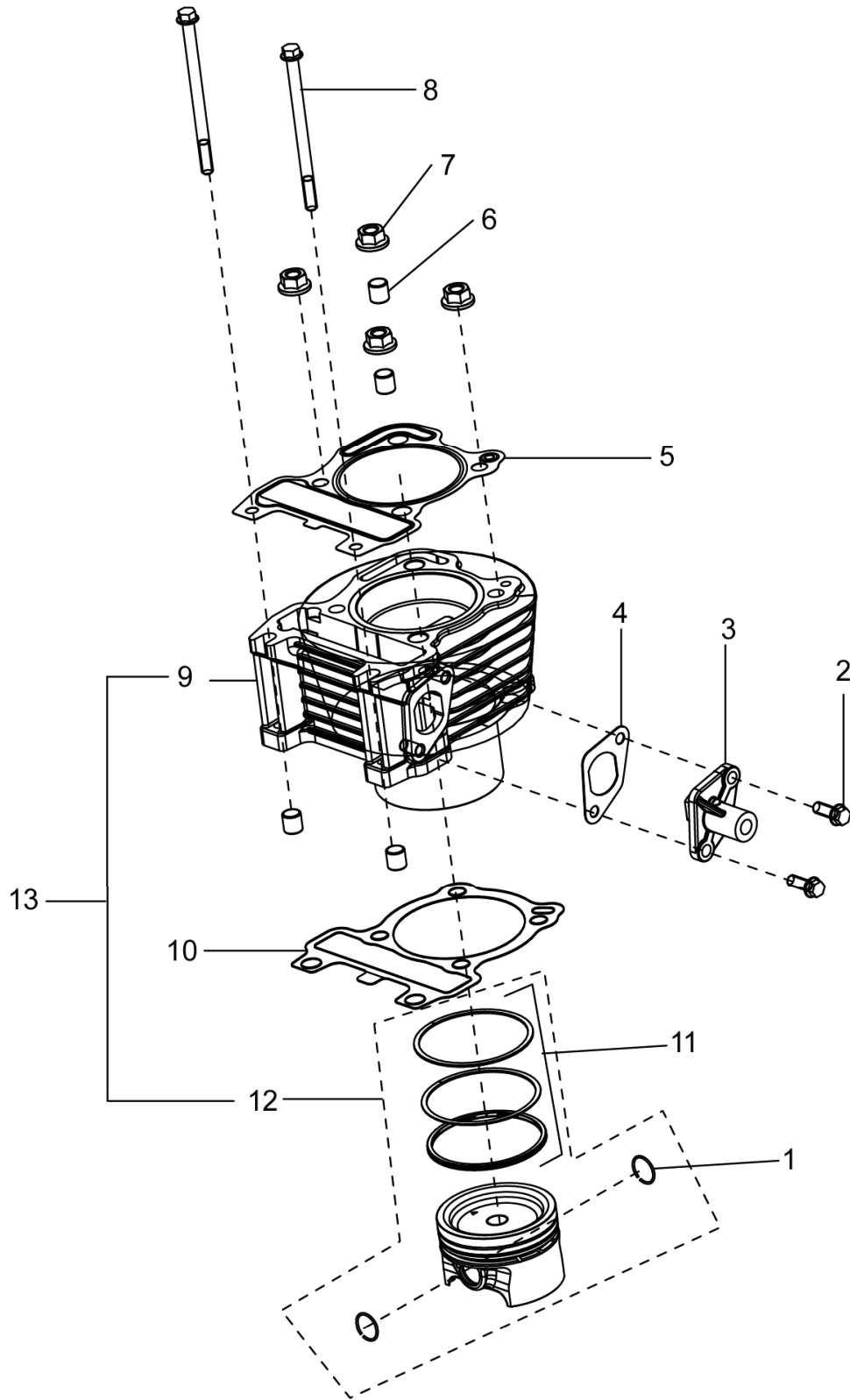


PLATE-14**Cylinder- Piston Group**

Fig. No.	Part No.	Description	Qty
1	963486	CIRCLIP FOR PISTON WRIST	2
2	434541	SCREW	2
3	82650R	CHAIN TIGHTENING DEVICE	1
4	847928	CHAIN SUPPORT GASKET	1
5	B014555	HEAD CYLINDER GASKET	1
6	435571	REFERENCE DOWEL	4
7	B016939	FLANGED NUT M8X1.25	4
8	B018854	SCREW M6X90 T.E. FLANGE	2
9	B019317	CYLINDER	1
10A	CM166201	CRANKCASE/ CYLINDER GASKET 0.4 MM	1
10B	CM166202	CRANKCASE/ CYLINDER GASKET 0.6 MM	1
10C	CM166203	CRANKCASE/ CYLINDER GASKET 0.8 MM	1
11	1U000023	RING SET	1
13	1U000025	BARREL PISTON KIT	1

PLATE-15
Electric Starting Group

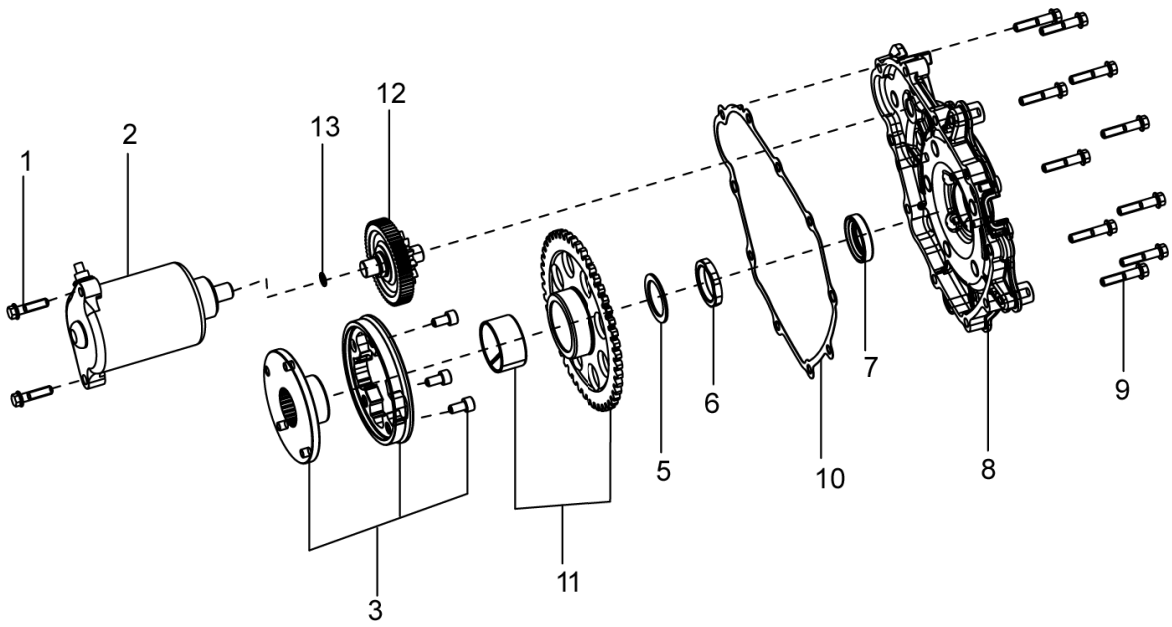


PLATE-15**Electric Starting Group**

Fig. No.	Part No.	Description	Qty
1	18639	SCREW M6X20	2
2	1D000425R	STARTING MOTOR	1
5	B016148	WASHER	1
6	B016147	RING NUT	1
7	B016120	SEAL RING 25X35X7	1
8	B015888	STARTER COVER	1
9	B018853	HEXAG. HEAD SCREW (M6X30)	10
10	B015942	STARTER COVER GASKET	1
11	B017055	TOOTHED CROWN ELECTRIC STARTER WITH I.P.	1
12	B017189	ELECTRIC STARTER INTERMED GEAR WITH P.I.	1

PLATE-16
Gear Group

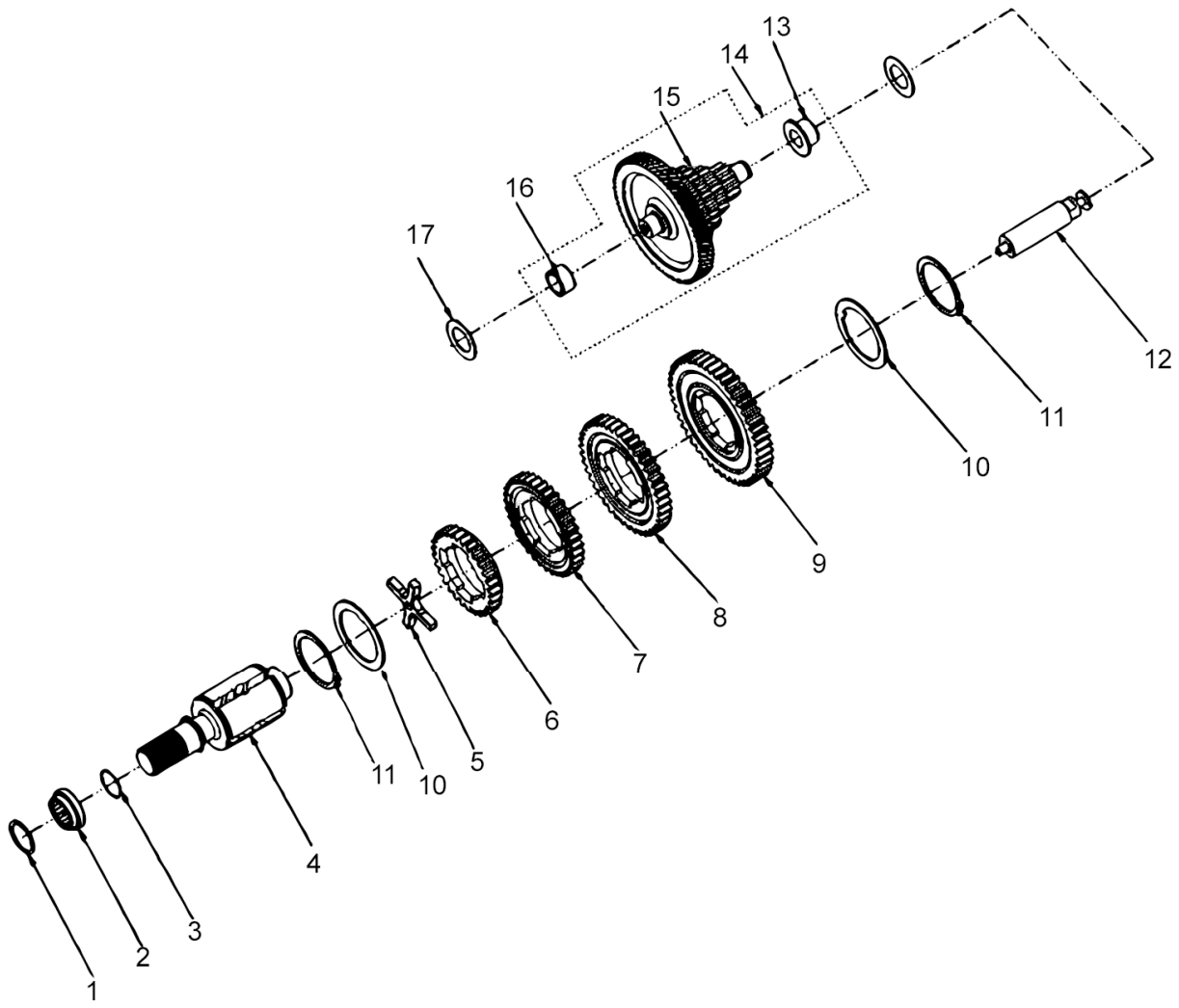


PLATE-16
Gear Group



Fig. No.	Part No.	Description	Qty
1	B017177	SEAL RING	1
2	B018472	SPACER	1
3	B018473	O-RING	1
4	B018471	SECONDARY GEAR SHAFT	1
5	B003924	CROSS	1
6	B041216	SPEED GEAR 4TH	1
7	B042561	3RD SPEED DRIVEN GEAR	1
8	B042560	2ND SPEED DRIVEN GEAR	1
9	B042559	1ST SPEED DRIVEN GEAR	1
10	523012017	SHOULDER RING 1.7 MM THK	2
11	842004808	CIRCLIP DIA.48 (EXT)	2
12	1A001786	STEM	1
13	B016205	INTERNAL RING (FLY WHEEL SIDE)	1
14	1A000242	GEAR DRIVE SHAFT WITH I.P.	1
15	B041220	CLUSTER GEAR (VE)	1
16	122032014	INNER RING - CLUSTER GEAR	1
17	B016206	SHOULDER WASHER	2

PLATE-17
Differential Gear Group

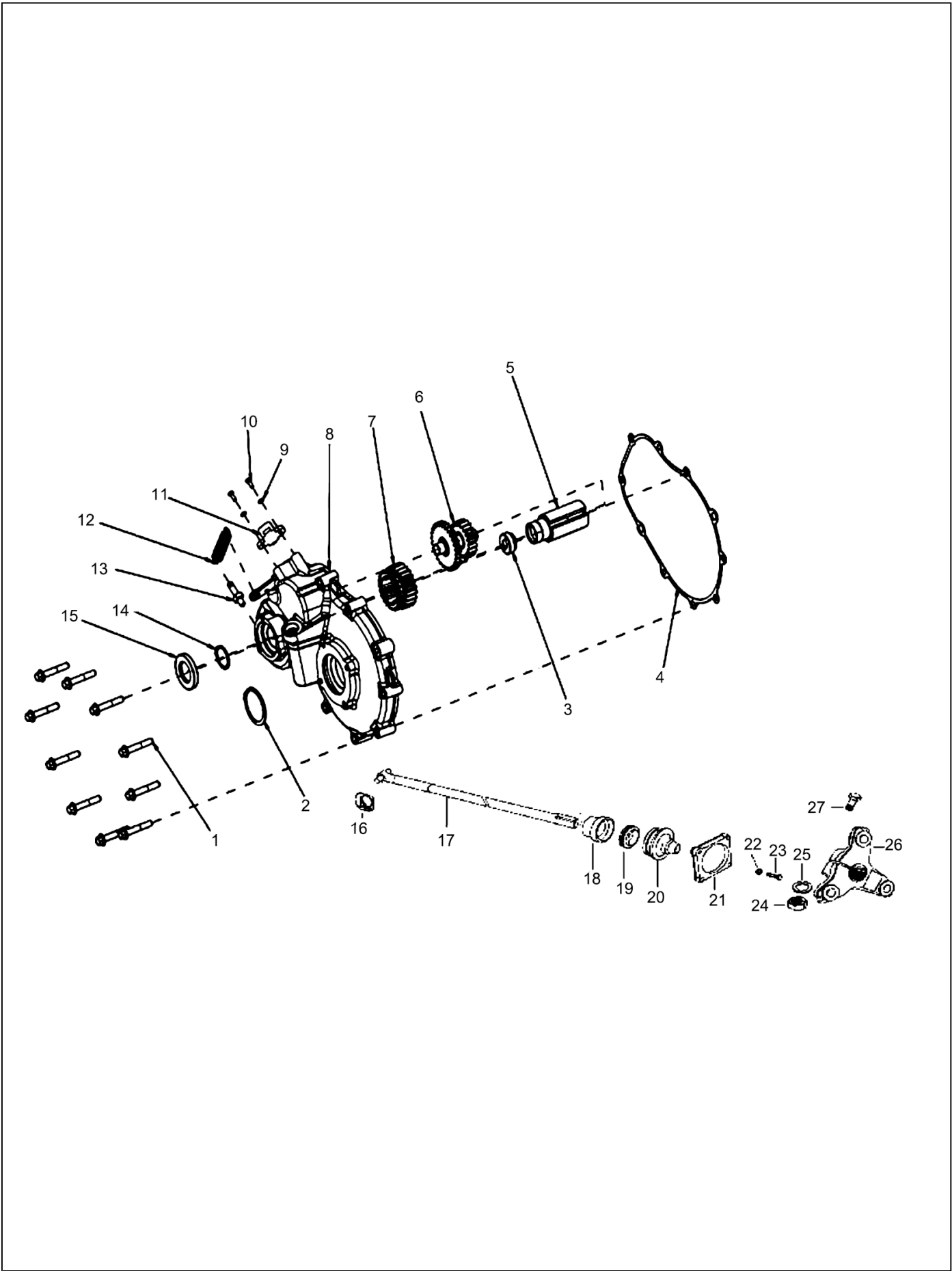


PLATE-17**Differential Gear Group**

Fig. No.	Part No.	Description	Qty
1	B016621	SCREW M8X50	10
2	6450	EXT CIRCLIP DIA 48	1
3	B018991	PLUG FOR FAREMETER	1
4	B015875	DIFFERENTIAL COVER GASKET	1
5	B018990	REVERSE SHAFT	1
6	B017134	REVERSE GEAR - PETROL \ LPG	1
	B015817	REVERSE GEAR - CNG	1
7	B017133	SLIDING GEAR - PETROL \ LPG	1
	B015816	SLIDING GEAR - CNG	1
8	B016170	DIFFERENTIAL GEAR COVER WITH P.I.	1
9	3054	PLAIN WASHER	2
10	15996	PHIL RD HD SCREW M4X12	2
11	567498R	BRAKE/REVERSE LIGHT SW (INTEGRAL CAP)-PAV	1
12	127111011	REVERSE GEAR SPRING	1
13	128307019	BOLT R.C. SPRING RETAINING	1
14	842003000	CIRCLIP DIA. 30 (EXT.)	1
15	1A000236	OIL SEAL	1
16	112867R	SLIDER BLOCK PROP. SHAFT	4
17	B023940	PROP. SHAFT S/A	2
17a	B008928	PROPELLER SHAFT S/A	1
18	113278	BRACKET RETAINER RING (41736)	2
19	183511	OIL RING	2
20	198618	BELLOW	2
21	111356	COVER	2
22	16406	SPRING WASHER	8
23	31092	HEX. HD SCREW M6X25	8
24	231370	SELF BREAKING NUT M10	2
25	16410	SPRING WASHER	2
26	111498	ELASTIC HUB	2
27	B024614	HEX HEAD BOLT M10X45 CL 10.9	2
28	124102019	FARE METER GEAR	1

PLATE-18

Engine Support

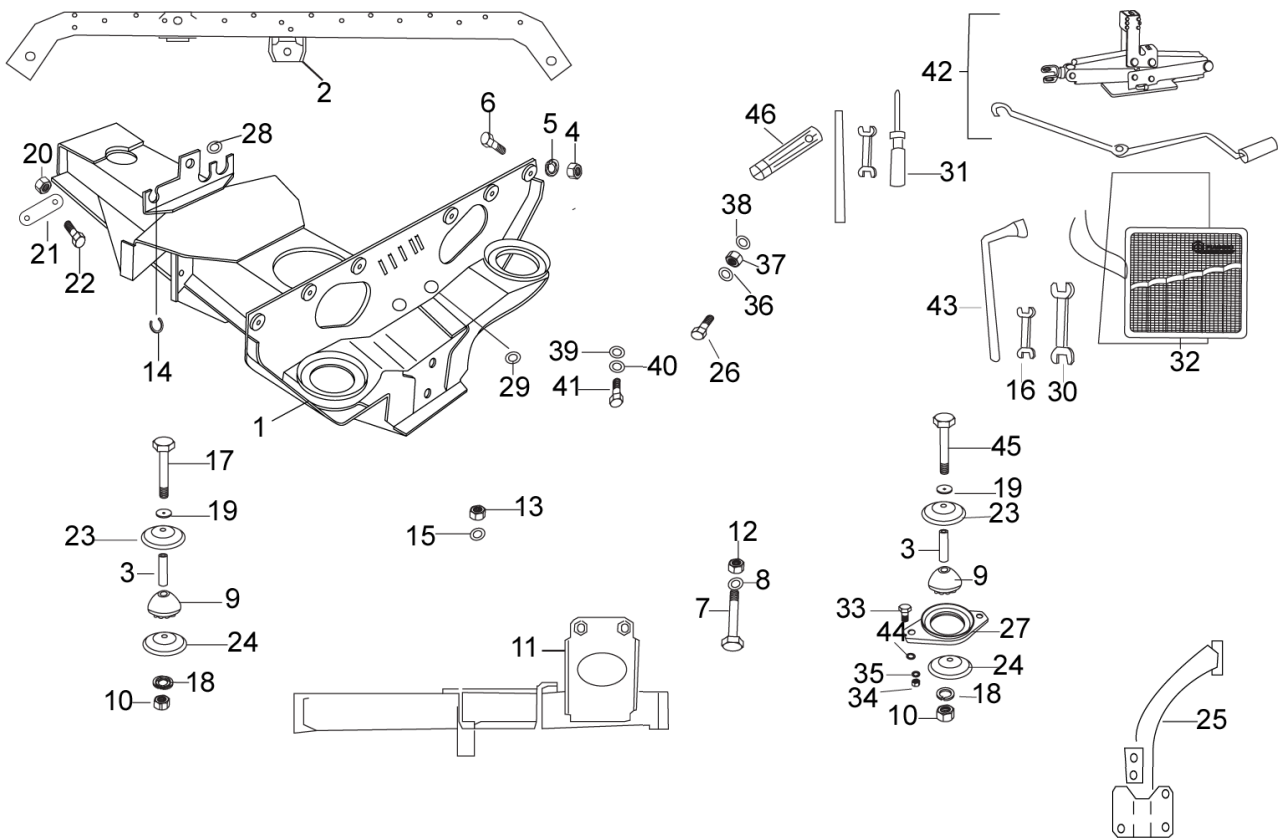


PLATE-18**Engine Support**

Fig. No.	Part No.	Description	Qty
1	B024838	FRAME ASSY. SUSPENSION & ENGINE SUPPORT	1
2	B008893	CROSS MEMBER ENGINE SUPPORT REAR	1
3	569241	SPACER	2
4	20108	HEX NUT M8	6
5	16408	SPRING WASHER M8	6
6	31119	HEX HD SCREW M8 X 25	6
7	632594	HEX HEAD BOLT M10X100	2
8	286328	PLAIN WASHER 20X10.2X2	2
9	265091	DUMPER ENGINE MTG.	2
10	15335	HEX HD NUT M8	2
11	B008921	FRT CROSS MEMBER ASSY. ENG. MTG.	1
12	231370	SELF BREAKING NUT M10	2
13	20108	HEX NUT M8	2
14	568140	GROMMET	1
15	16408	SPRING WASHER M8	2
16	567454	DOUBLE END SPANNER7/8	1
17	604948	HEX.HDD BOLT M8 X 110 WITH POINTING	2
18	16408	SPRING WASHER M8	3
19	2383	PLAIN WASHER M20X8.5X2	3
20	231370	SELF BREAKING NUT M10	2
21	108834	PLATE	2
	632299	PLATE	1
22	632247	HEX HDD SCREW M10X30 CC8.8	2
23	569375	PLATE	3
24	569244	PLATE	3
25	B008898	SUPPORT ARM ENGINE REAR SUB ASSY WITH IP	1
26	16406	SPRING WASHER	2
27	B003286	REAR AVM SUPPORT BKT. ASSY.	1
28	178610	GROMMET	1
29	15478	GROMMET4	2
30	567456	DOUBLE END SPANNER 12/14	1
31	567458	SCREW DRIVER (-)&(+) 80	1
32	B006688	TOOL BAG	1
33	31154	HEX HDD SCREW M10X22 CL 8.8	2
34	20108	HEX NUT M8	4
35	16410	SPRING WASHER	2
36	16410	SPRING WASHER	2
37	20110	HEX NUT M10	4
38	286328	PLAIN WASHER 20X10.2X2	2
39	16408	SPRING WASHER M8	2
40	2383	PLAIN WASHER M20X8.5X2	2
41	B003855	SOCKET HEAD CAP SCREW M8	2
42	B023718	JACK ASSLY (APE CITY) 0.5T	1
43	B001494	L TYPE SPANNER-A/F -16	1

PLATE-18

Engine Support

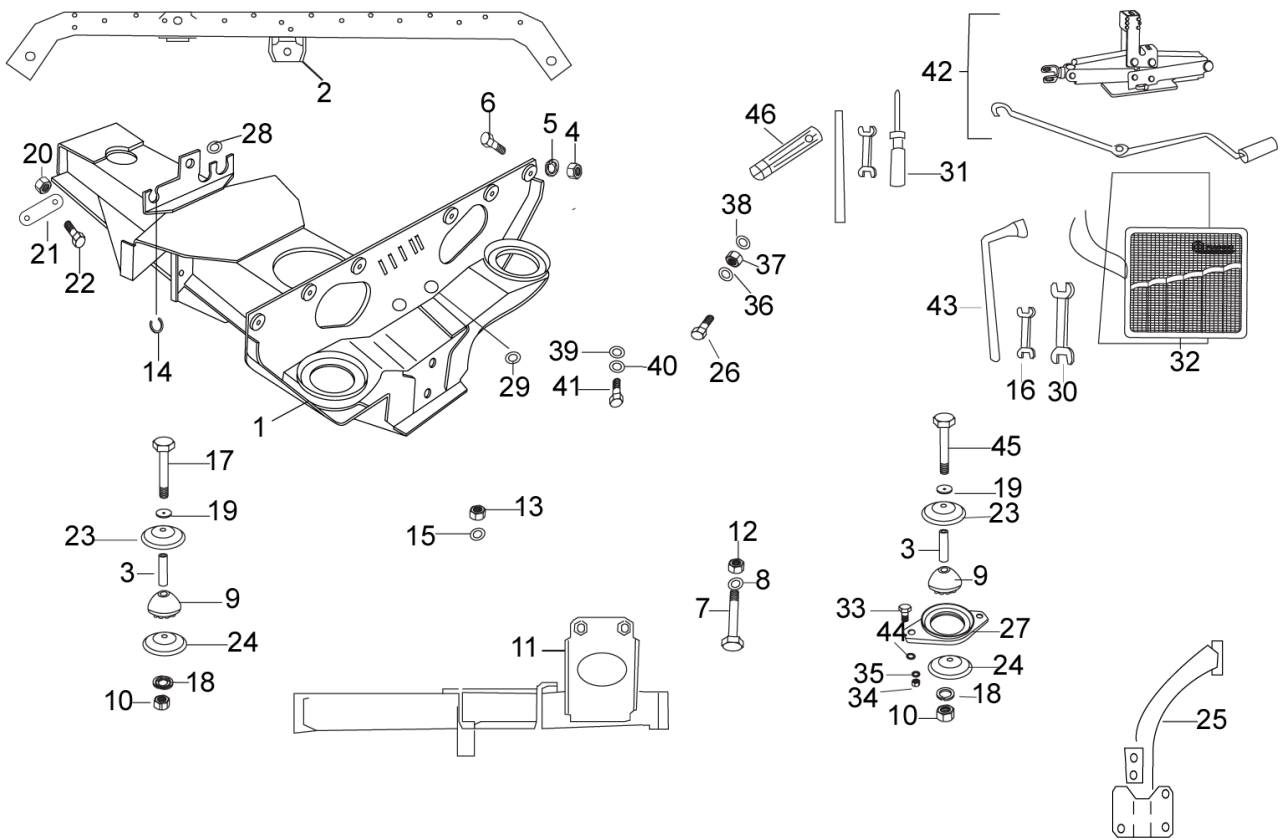


PLATE-18**Engine Support**

Fig. No.	Part No.	Description	Qty
44	286328	PLAIN WASHER 20X10.2X2	2
45	272178	HEX. HDD BOLT M8 X 122 CL 10.9	1
46	675378	SOCKET WRENCH 16	1
47	B041787	SPARK PLUG SPANNER	1

PLATE-19

Fuel Tank/Filter/Fuel Pipes

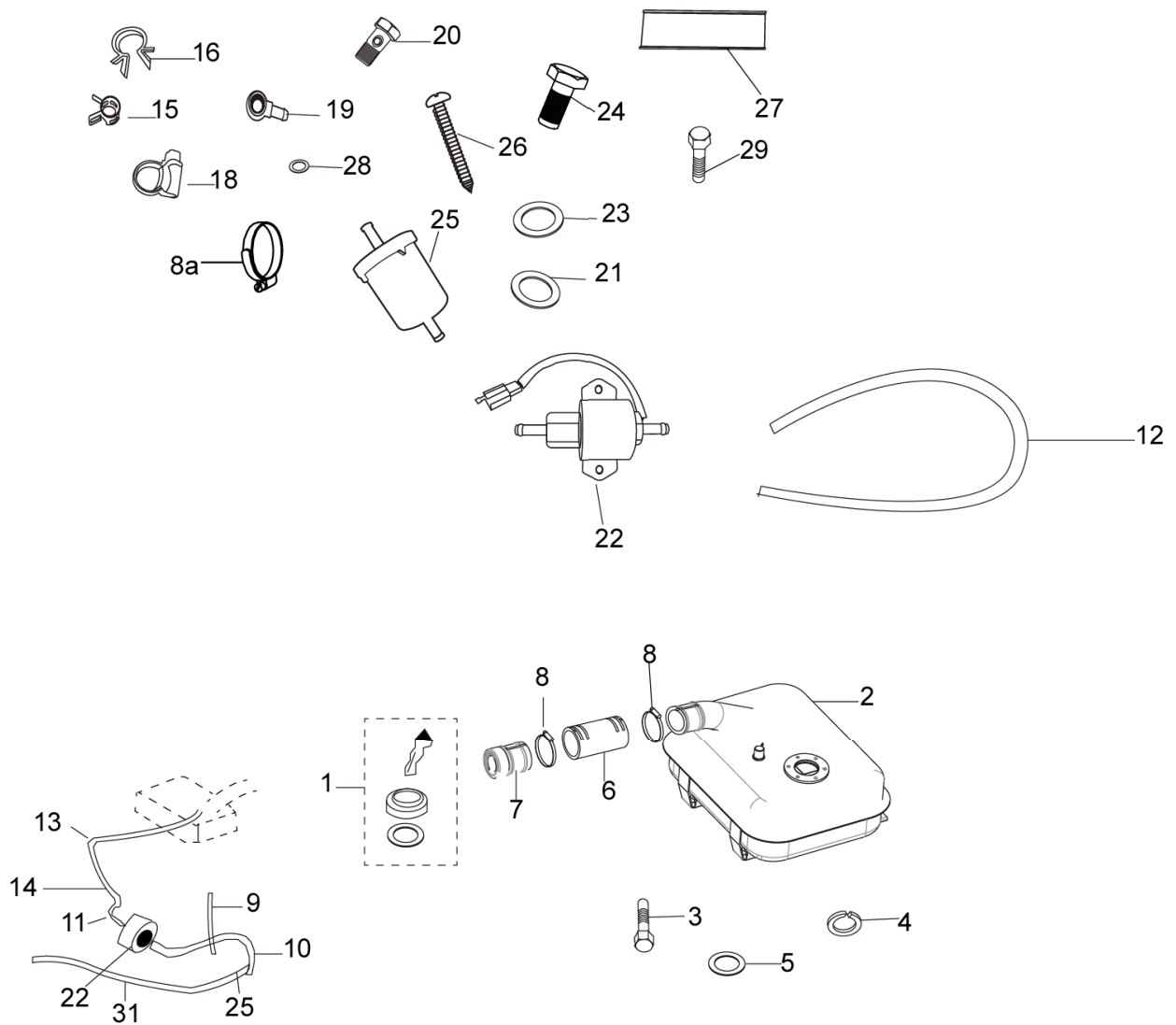


PLATE-19**Fuel Tank/Filter/Fuel Pipes**

Fig. No.	Part No.	Description	Qty
1	B024170	DIESEL TANK CAP WITH KEY	1
2	B001430	FUEL TANK ASSY.	1
	B002278	FUEL TANK ASSY. COMPLETE (CNG/LPG)	1
3	31088	HEX HD SCREW M6 X 16 CL 8.8 (811061623)	4
4	16406	SPRING WASHER	4
5	13880	METALIC PLAIN WASHER	4
6	B003114	HOSE FUEL TANK	1
7	B003115	TUBE FUEL TANK FILLER ASSY	1
8	604756	HOSE CLIP	2
8a	632109	HOSE CLAMP BRAKE PIPE	1
9	B009582	FUEL PIPE TANK TO FILTER	1
10	B002625	FUEL PIPE FILTER TO FEED PUMP - CNG/LPG	1
11	B002626	FEED PUMP TO 'Y' CONNECTOR - CNG/LPG	1
12	B024892	'Y' CONT. TO CARBURETTOR - CNG/LPG	1
13	B002628	'Y' CONNECTOR TO FUEL ANK RETURN - CNG/LPG	1
14	644824	THREE WAY 'Y' CONNECTOR - CNG/LPG	1
15	B003282	HOSE CLIP (DIA. 7) (PETROL & CNG/LPG)	2
16	B003929	FLY SPRING (CNG/LPG)	2
18	109249	CLAMP	2
19	604908	BANJO	1
20	604909	BANJO BOLT (M14X1.5)	1
22	B002630	ELECTRICAL FEED PUMP CNG/LPG	1
23	16406	SPRING WASHER	2
24	31088	HEX HD SCREW M6 X 16 CL 8.8 (811061623)	2
25	616738R	FUEL FILTER	1
26	15733	SELF TAPPING SCREW (PETROL & CNG/LPG)	1
27	652105	RUBBER PACKING PRIMARY FUEL FILTER (PETROL & CNG/LPG)	1
28	217280	SPRING WASHER M6 (PETROL & CNG/LPG)	4
29	31088	HEX HD SCREW M6 X 16 CL 8.8 (811061623)	4
30	13880	METALIC PLAIN WASHER	4
31	B003942	FUEL PIPE FUEL FILTER TO CARBURETTOR - CNG/LPG	1
32	B024908	FUEL PIPE FUEL FILTER TO CARB.	1

PLATE-20

Wind Shield/Glass/Beading

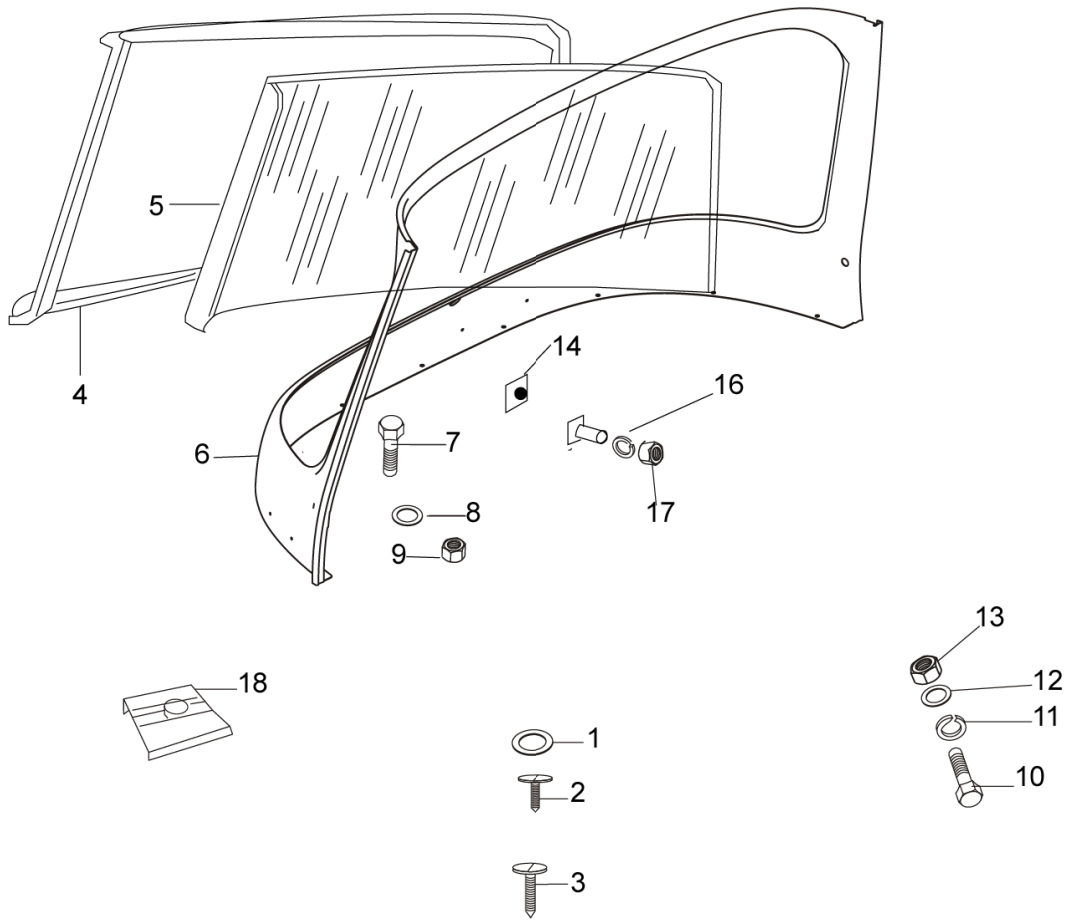


PLATE-20**Wind Shield/Glass/Beading**

Fig. No.	Part No.	Description	Qty
1	16670	PLAIN WASHER 12X4.5X1	2
2	568692	PAN SELF TAP SCREW 6SG X 16AB	2
3	18630	PAN SELF TAP SCREW 6SG X 25AB	2
3a	B009429	SELF TAP SCREW AB3.5X38	2
4	109012	WIND SHIELD PACKING	1
5	109011	TOUGHENED WINDSCREEN	1
	587963	LAMINATED WINDSHIELD GLASS	1
6	B002550	WINDSCREEN FRAME	1
7	B001386	HEX HEAD SCREW M5X20	9
8	16405	SPRING WASHER M5	16
9	20105	HEX NUT M5	20
10	30242	SLOT CH. HD. SCREW	4
11	808000826	PLAIN WASHER M8	2
12	16408	SPRING WASHER M8	2
13	20108	HEX NUT M8	2
14	190462	PLATE ASSY.	5
15	B024645	RIM COVERAGE JOINT	1
16	3054	PLAIN WASHER	5
17	20104	HEX NUT M4	5
18	B024855	TERMINAL	2

PLATE-21

Main Frame/Driver Seat/Battery Bkt//Nose/Fr. Mud/M

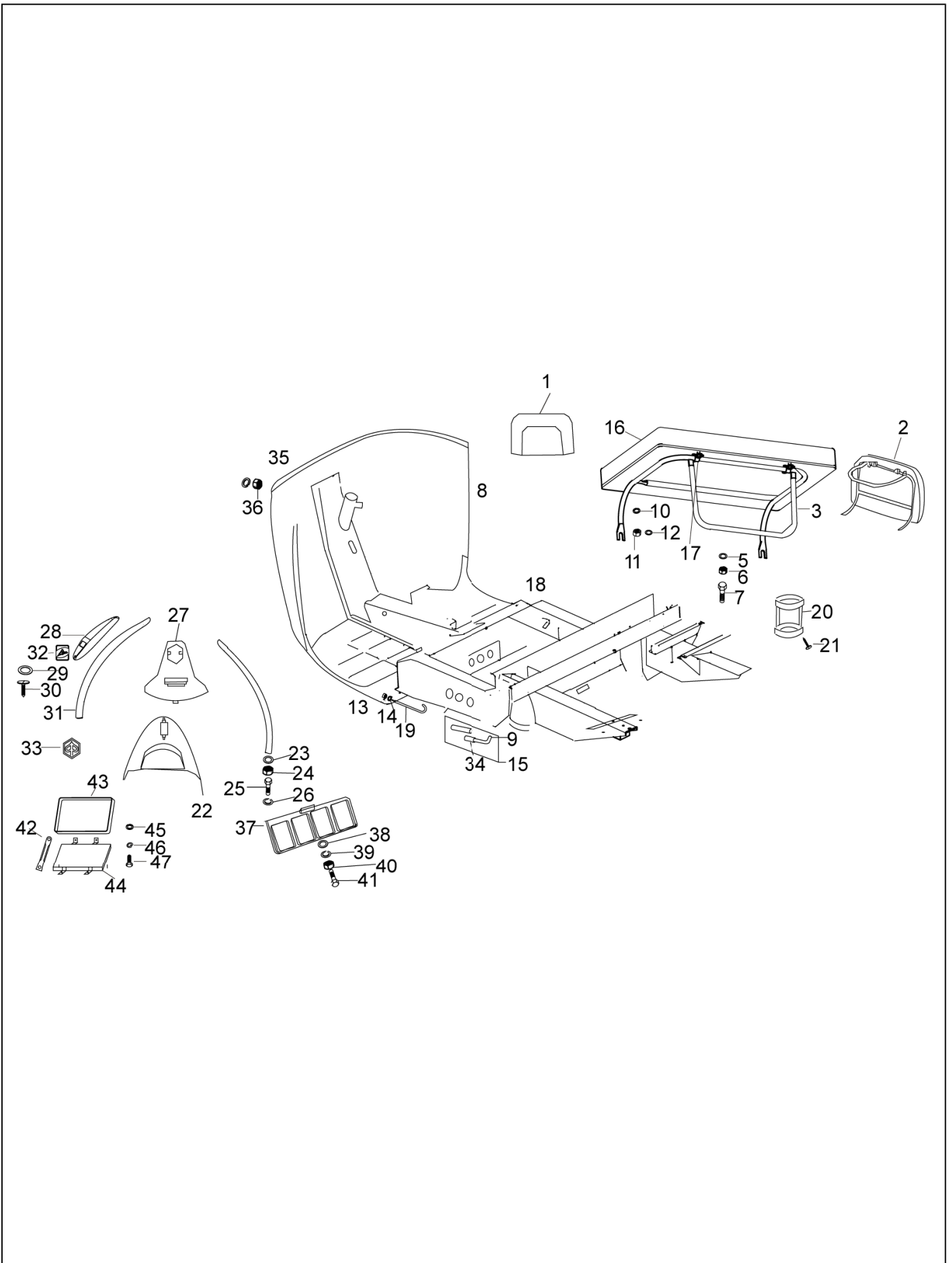


PLATE-21**Main Frame/Driver Seat/Battery Bkt//Nose/Fr. Mud/M**

Fig. No.	Part No.	Description	Qty
1	B024542	DRIVER BACK REST ASSY	1
2	B024520	DRIVER SEAT ASSY COMPLETE	1
	B024516	PASS DRIVER SEAT ASSY (CNG/LPG)	1
4	16408	SPRING WASHER M8	2
5	2383	PLAIN WASHER M20X8.5X2	4
6	20108	HEX NUT M8	2
7	31119	HEX HD SCREW M8 X 25	2
8	B024637GY	MAIN FRAME ASSY. WITH IP (PETROL) - GY	1
	B024637BY	MAIN FRAME ASSY. WITH IP (PETROL) - BY	1
	B024790EG	MAIN FRAME ASSY. WITH IP (LPG) - EG	1
	B024790GY	MAIN FRAME ASSY. WITH IP (LPG) - GY	1
	B024790BY	MAIN FRAME ASSY. WITH IP (LPG) - BY	1
	B024787EG	MAIN FRAME ASSY. WITH IP (CNG) - EG	1
	B024787GY	MAIN FRAME ASSY. WITH IP (CNG) - GY	1
	B024787BY	MAIN FRAME ASSY. WITH IP (CNG) - BY	1
9	604954	TENSION ROD	1
10	16408	SPRING WASHER M8	6
11	20108	HEX NUT M8	6
12	3058	PLAIN WASHER 15X8.4X1.5	6
13	20108	HEX NUT M8	1
14	3058	PLAIN WASHER 15X8.4X1.5	1
15	632508	TENSION ROD ASSY. (BATTERY MOUNTING.)	1
16	B024496	DRIVER SEAT SUB. ASSY	1
17	B001273	'C' CLAMP	3
18	B002412	GROMMET WIRING HAND BRAKE	1
19	604954	TENSION ROD	1
20	645141	BOTTLE CARRIER STAND	1
21	660168	PAN SELF TP. SCREW 10 SGX13AB	2
22	B024452	FR. MUDGUARD & TRIM ASSLY	1
23	13880	METALIC PLAIN WASHER	8
24	20106	HEX NUT M6	4
25	31089	HEX HEAD SCREW M6X18 CL 8.8	4
26	78307	BENT SPRING WASHER M6	4
27	B025598	CENTRAL COVER	1
28	B025603	FR. MUD. TRIM	1
29	97756	METALLIC PLAIN WASHER	2
30	B001493	PAN SELF TAP SCREW 4SG X 16AB	2
31	568703	GASKET FOR FRONT MUDGUARD	2
32	B003261	ORNAMENT CREST	1
33	615101	EMBLEM PIAGGIO	1
34	567515	REGISTER	1
35	3054	PLAIN WASHER	5
36	20104	HEX NUT M4	5
37	B041054	MUD FLAP FRONT	1

PLATE-21

Main Frame/Driver Seat/Battery Bkt//Nose/Fr. Mud/M

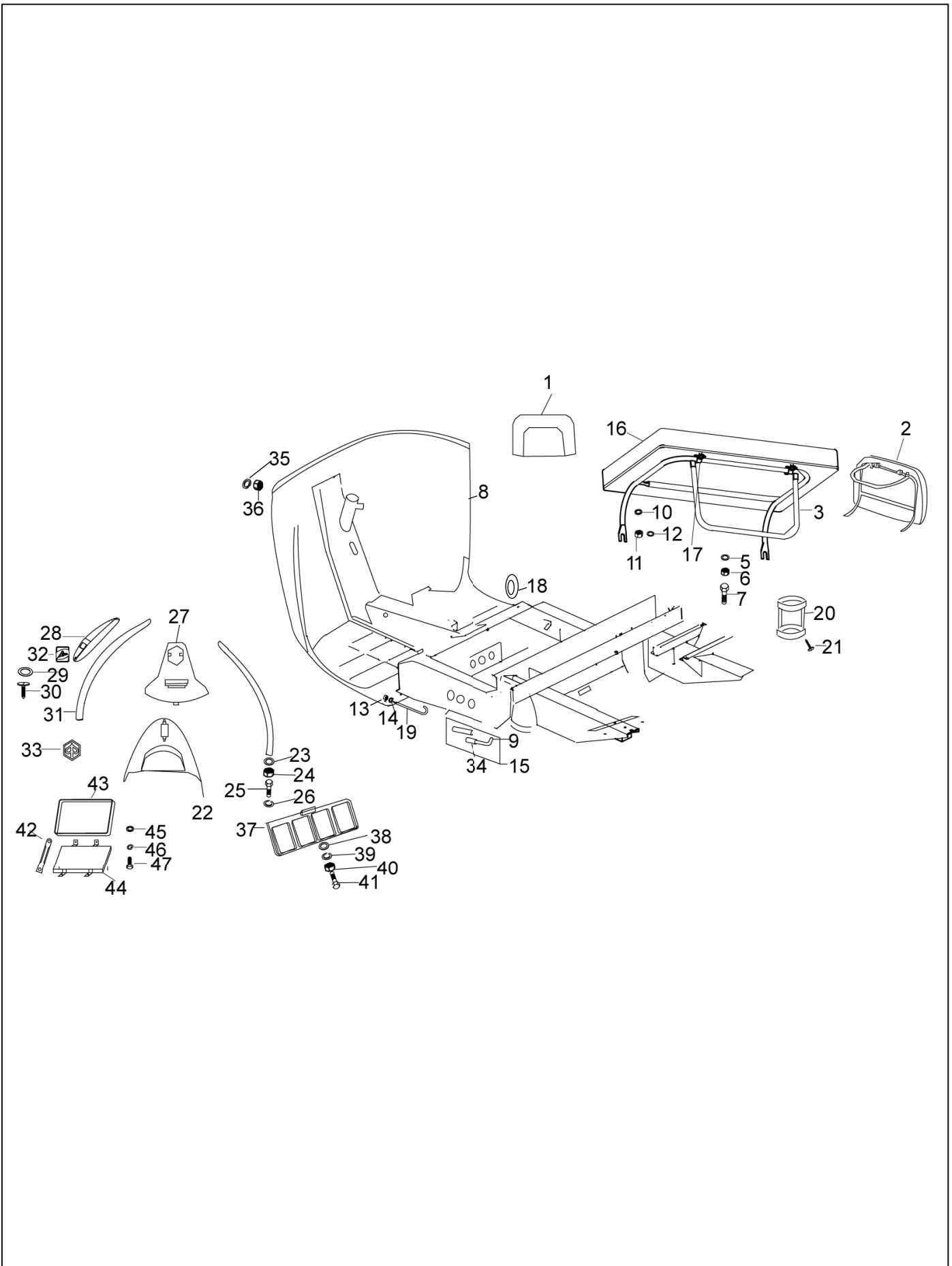


PLATE-21**Main Frame/Driver Seat/Battery Bkt//Nose/Fr. Mud/M**

Fig. No.	Part No.	Description	Qty
38	13880	METALIC PLAIN WASHER	4
39	16406	SPRING WASHER	4
40	20106	HEX NUT M6	4
41	31088	HEX HD SCREW M6 X 16 CL 8.8 (811061623)	4
42	B003978	BATTERY HOLDING PLATE	1
43	616649	BATTERY TRAY	1
44	B003415	BATTERY STAND S/A	1
45	13861	PLAIN WASHER 20X8.2X2.5	4
46	16408	SPRING WASHER M8	4
47	31118	SCREW M8X20	4

PLATE-23
Rear Suspension

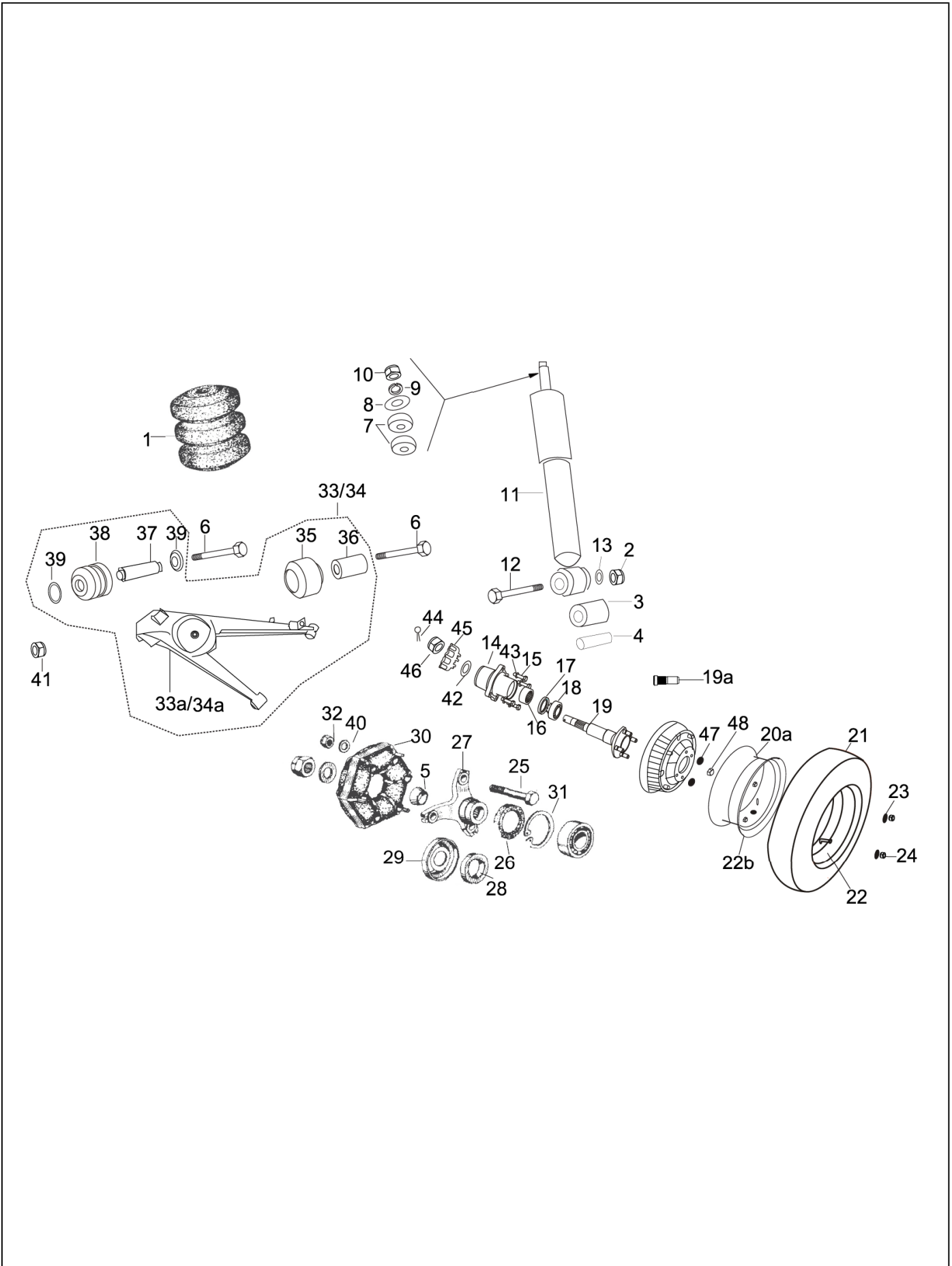


PLATE-23**Rear Suspension**

Fig. No.	Part No.	Description	Qty
1	B002470	RUBBER BUMPER	2
2	231370	SELF BREAKING NUT M10	2
3	157103	BUSH - SHOCK ABSORBER	2
4	107827	SPACER	1
5	128633	CONE	1
6	643741	HEX HDD BOLT M10 X 80 CL 12.9	4
7	157103	BUSH - SHOCK ABSORBER	4
8	6066	PL WASHER 10.5X38X9	2
9	16410	SPRING WASHER	2
10	20110	HEX NUT M10	2
11	136451	SHOCK ABSORBER REAR	2
12	267068	HEX HEAD BOLT M10 X 60 CC 10.9	2
13	286328	PLAIN WASHER 20X10.2X2	2
14	B002344	REAR WHEEL HUB	2
15	B002486	BOLT M8 X 35 6G CL 12.9	8
16	128486	NEEDLE BEARING REAR WHEEL HUB (ROLLER CAGE)	2
17	20359	SEAL RING	2
18	243303R	DEEP GROVE BALL BRG-RR WH AXLE	2
19	B024374	REAR AXLE COMPLETE (APE CITY)	2
19a	B001319	BOLT FOR AXLE	4
20a	661570P	WHEEL RIM INNER	1
20b	661571P	WHEEL RIM OUTER	1
21	B001317	TYRE & TUBE ASSEMBLY	4
22	B001316	INNER TUBE FOR TYRE 4.0 X 8 INCH	4
23	16410	SPRING WASHER	12
24	20110	HEX NUT M10	12
25	15594	HEX HDD BOLT M10 X 35	12
26	196302	OIL SEAL	2
27	587617	ELASTIC JOINT CONNECTION HUB (WHL - SIDE)	2
28	661267	RING	2
29	109892	PROTECTION CUP RR HUB	2
30	604535	FLEXIBLE COUPLING	2
31	6650	CIRCLIP DIA 50 (INT)	2
32	231370	SELF BREAKING NUT M10	12
33	B009603	ARM ASSY. LH SUSPENSION WITH SILENT BUSH	1
33a	B002481	ARM SUB ASSY. RH - REAR SUSPENSION	1
34	B009605	ARM ASSY. RH SUSPENSION WITH SILENT BUSH	1
34a	B002482	ARM SUB ASSY. LH - REAR SUSPENSION	1
35	226662	RING FOR ELASTIC SUPPORT	2
36	226661	INTERNAL BUSH	2
37	267065	SPACER FRONT	2
38	226596	BUSH FRONT RING FOR ELASTIC SUPPORT	2
39	661266	SHOULDER WASHER	4
40	237246	SHIM WASHER 20X10.2X1	12

PLATE-23
Rear Suspension

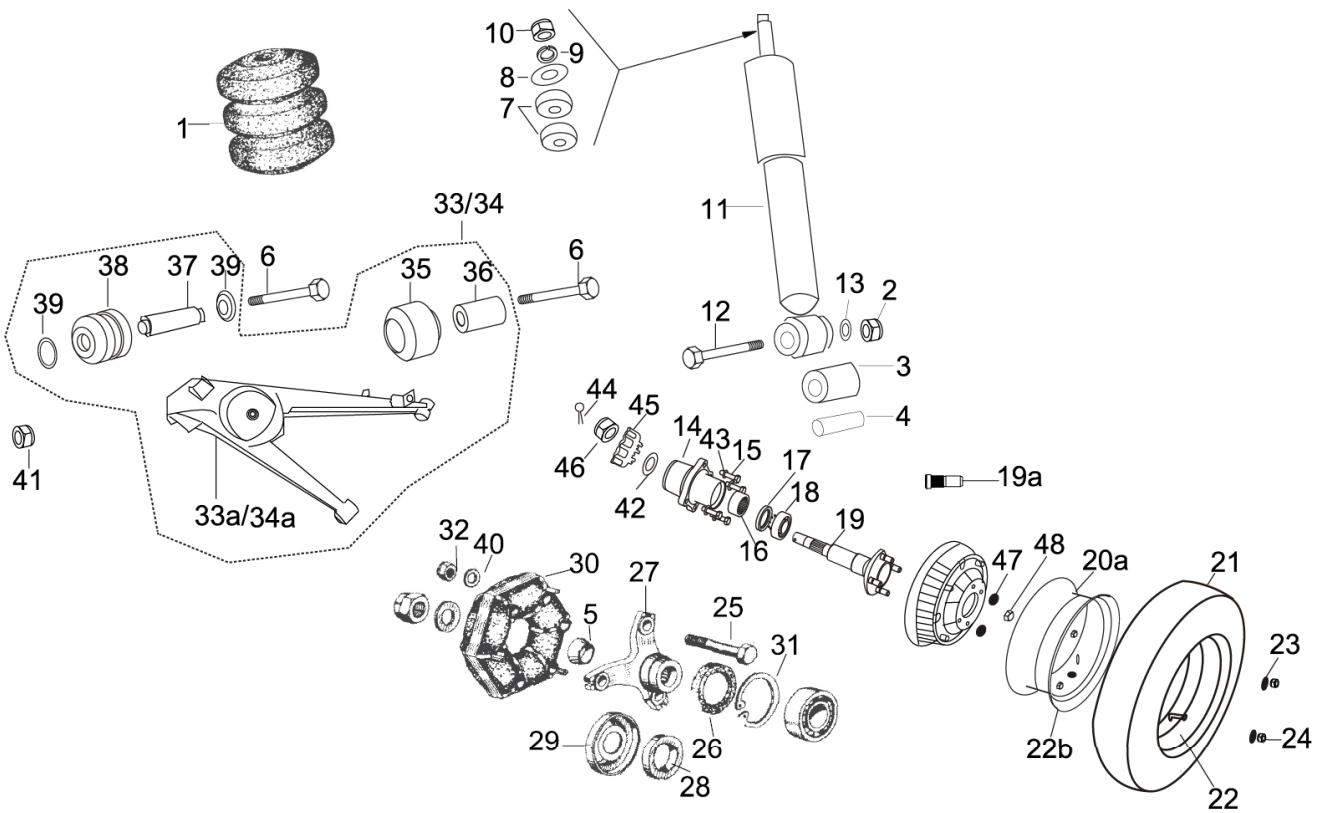


PLATE-23**Rear Suspension**

Fig. No.	Part No.	Description	Qty
41	231370	SELF BREAKING NUT M10	4
42	3068	PLAIN WASHER	1
43	16408	SPRING WASHER M8	8
44	12790	SPLIT PIN	2
45	177559	CAP	2
46	21118	HEX NUT M18 X 1.5P	2
47	16410	SPRING WASHER	8
48	20110	HEX NUT M10	8

PLATE-22
Inner Parts Of Cabin

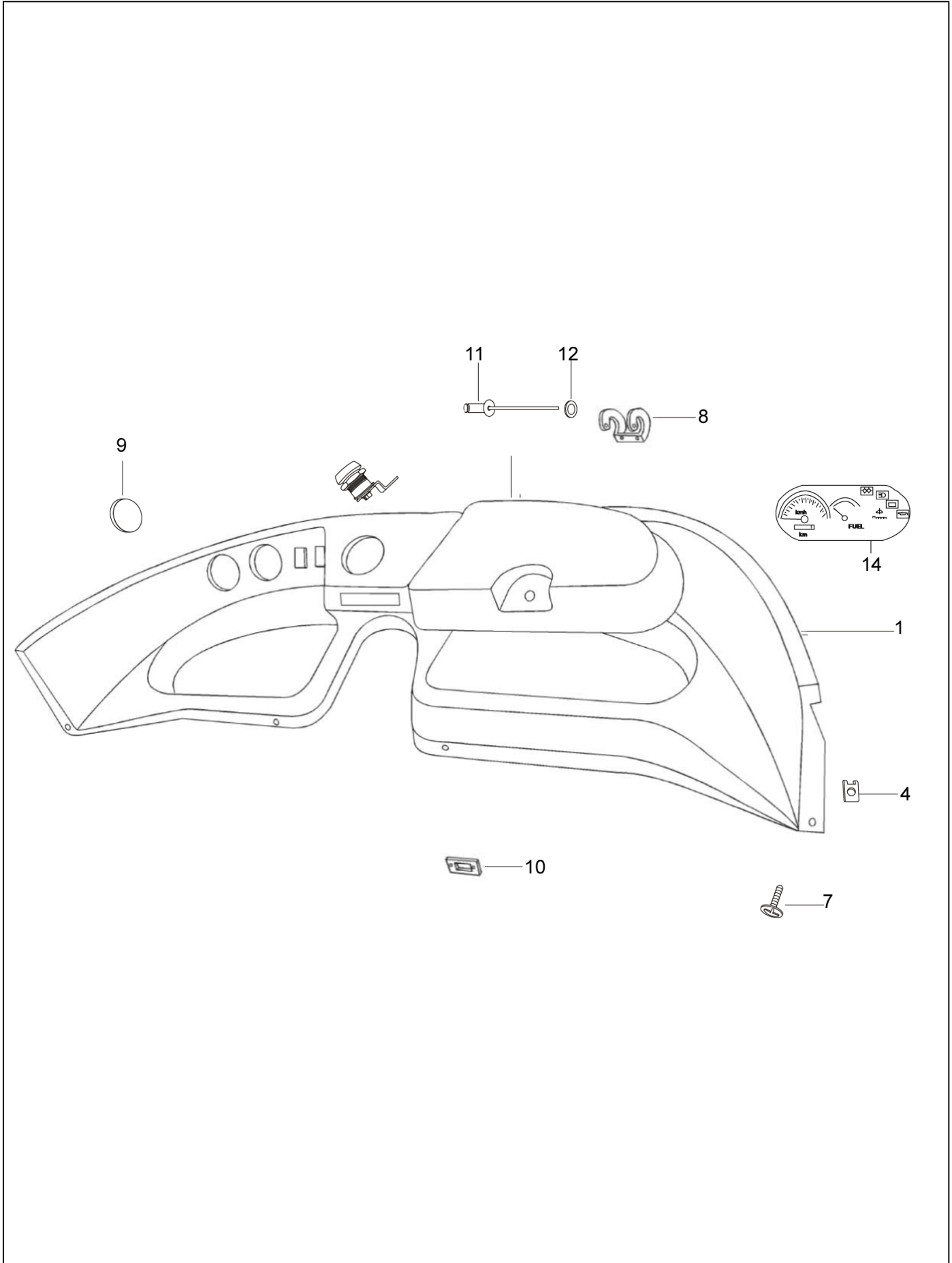


PLATE-22**Inner Parts Of Cabin**

Fig. No.	Part No.	Description	Qty
1	660322	DASH BOARD OBJECT & INSTRUMENT HOLDER (VE)	1
4	8080	SPRING PLATE	4
5	604548	GLOVE BOX COVER	1
6	B024169	GLOVE BOX LOCK WITH KEY	1
7	660168	PAN SELF TP. SCREW 10 SGX13AB	4
8	605389	HINGE	1
9	604984	CAP DASH BOARD	2
10	643691	BOLT LOCK PLATE	1
11	567893	POP RIVET 4 X 9.5	4
12	3054	PLAIN WASHER	8
13	568671	GASKET - GLOW BOX COVER (N.I.)	4
14	B001481R	INSTR. CLUSTER (PETROL)	1
	B002209R	INSTR. CLUSTER (CNG/LPG)	1
15	B024683	LOCK SET	1

PLATE-24

Steering Column And Front Suspension

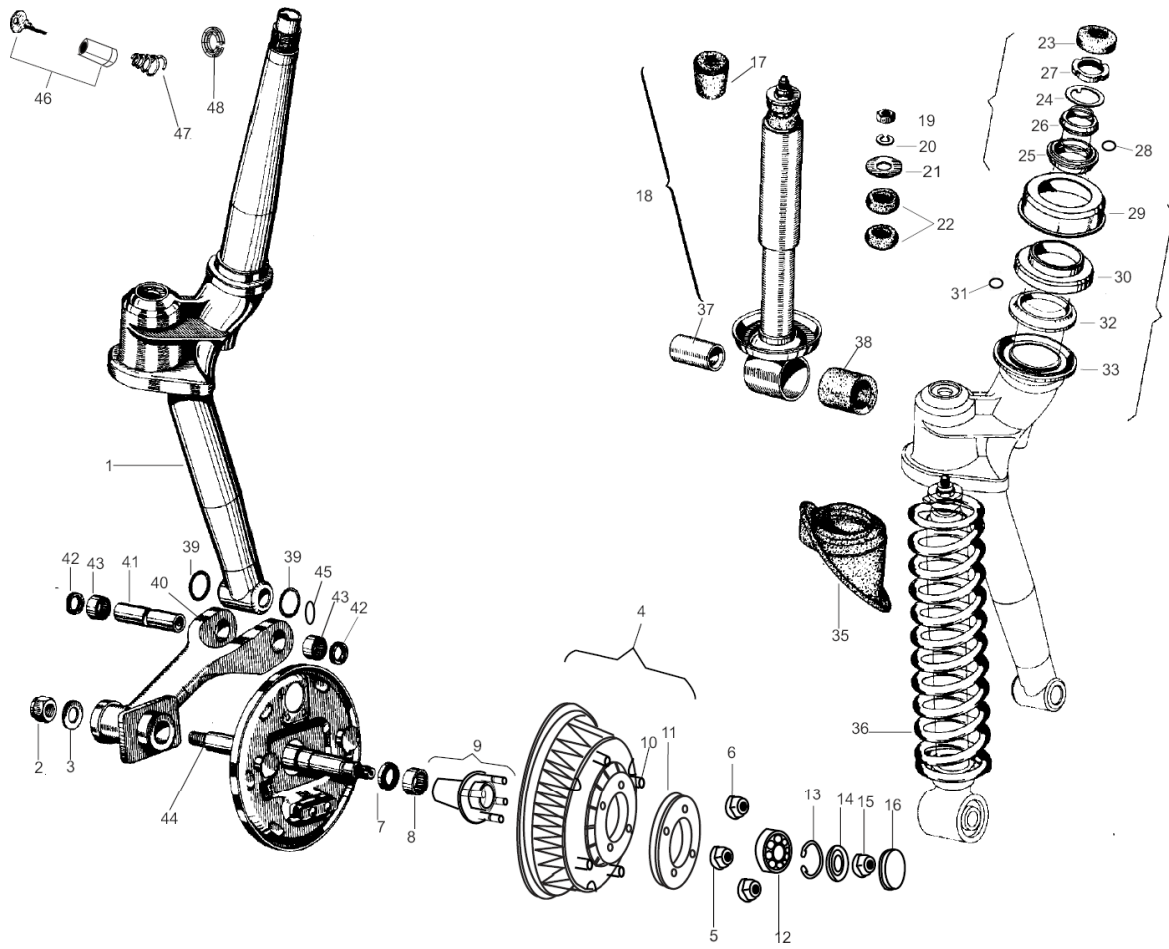


PLATE-24**Steering Column And Front Suspension**

Fig. No.	Part No.	Description	Qty
1	B008177	STEERING COLUMN COMP. WITH SUSP. ARM	1
	B008116	STEERING COLUMN WITH IP	1
2	568095	NYLOCK NUT	1
3	87067	PLAIN WASHER 30.5X14.3X2	1
4	B024375	BRAKE DRUM ASSY. COMPLETE	1
5	16410	SPRING WASHER	4
6	20110	HEX NUT M10	4
7	196302	OIL SEAL	1
8	125289	NEEDLE BEARING, CRANKASE, FRONT WHEEL	1
9	B001302	FRONT HUB ASSLY.	1
10	B001323	STUD M10 - BRAKE DRUM	4
11	B041181	SPACER DISC FRONT WHEEL MTG (ALUMIN .)	1
12	30209R	BALL BEARING FRONT WHEEL HUB	1
13	567473	CIRCLIP DIA. 42 INT. (841004203)	1
14	180431	COIN WASHER	1
15	74521	NUT M14 X 1.5	1
16	107871	CAP	1
17	75708	SILENT BLOCK	1
18	B008117	FRONT SHOCK ABSORBER	1
19	21110	HEX UT M10 X 1.25 P ASSY.	1
20	16410	SPRING WASHER	10
21	6066	PL WASHER 10.5X38X9	1
22	74414	RUBBER BUSH/BUFFER FOR COUPLING SHOCK ABSORBE	2
23	604758	PROTECTION	1
24	108873	STOP WASHER FOR HOLDING	1
25	567990	BEARING RACE UPPER BOTTOM	1
26	567991	BEARING RACE UPPER TOP	1
27	108874	SECURING RING NUT	1
28	662423	SOLID OIL BALL CAGE (UPPER) 7105	1
29	109064	DUST COVER	1
30	567992	BEARING RACE LOWER TOP	1
31	662422	SOLID OIL BALL CAGE (LOWER) 7104	1
32	567993	BEARING RACE LOWER BOTTOM	1
33	109066	WASHER WITH PROTECTION FOR BEARING	1
34	604759	RUBBER CAP STEERING COLUMN (N.I.)	AR
35	109265	SPLASH GUARD (DUST COVER)	1
36	107732	BUSH FOR SILENT BLOCK	1
37	109117	RUBBER BUSH (FRT SHOCK ABSORBER) / RING	1
38	566545	RUBBER BUSH (FRT SHOCK ABSORBER) - MODIFIED	1
39	6733	O RING	2
40	B024018	FRONT SUSPENSION ARM	1
41	137235	STEERING PIN	1
42	8771	OIL SEAL (18-24-4)	2
43	107718	ROLLER BUSH	2

PLATE-24

Steering Column And Front Suspension

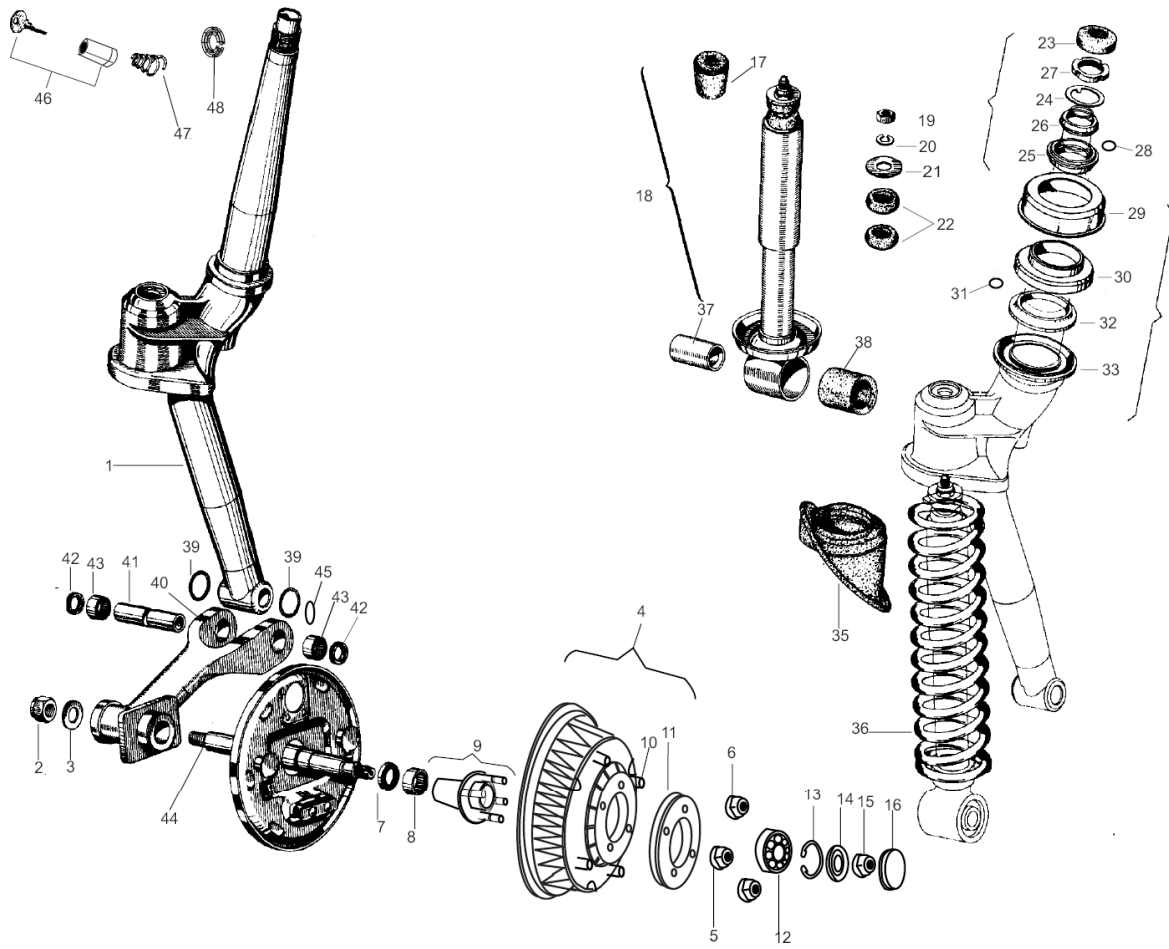


PLATE-24**Steering Column And Front Suspension**

Fig. No.	Part No.	Description	Qty
44	643772R	FRONT WHEEL AXLE	1
45	150579	RING FOR HOLDING TYPE J F101 17A	2
46	661230	STEERING LOCK	1
47	569150	SPRING; STEERING LOCK (MODIFIED)	1
48	661231	CIRCLIP STEERING LOCK DIA 16 (INT)	1
49	127927	PACKING (NI)	2

PLATE-25

Handle Bar And Control

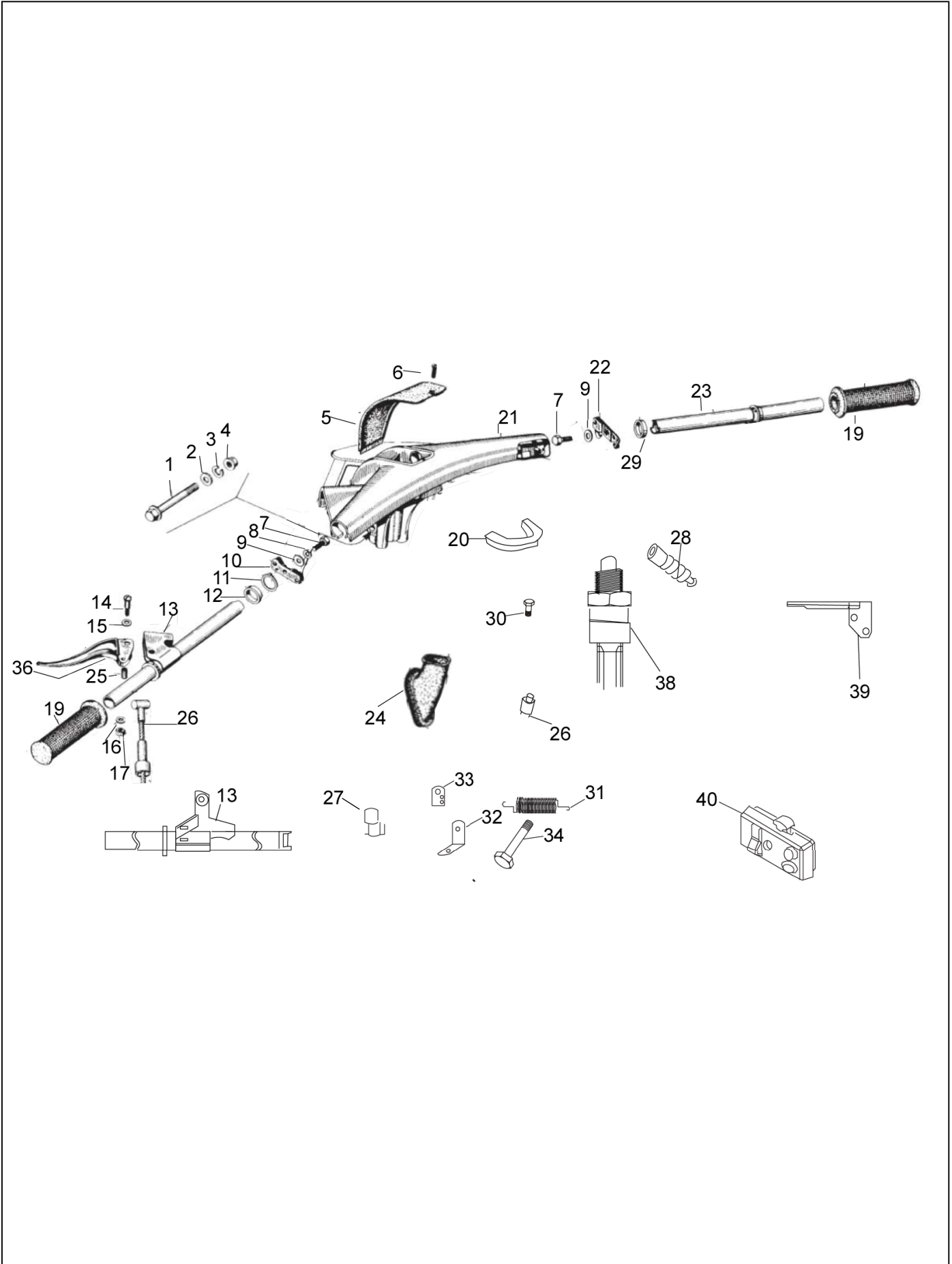


PLATE-25**Handle Bar And Control**

Fig. No.	Part No.	Description	Qty
1	30103	HANDLE SECURING BOLT M10 X 70 CL 8.8	1
2	16626	PLAIN WASHER (18X10.5X2)	2
3	16410	SPRING WASHER	1
4	21110	HEX UT M10 X 1.25 P ASSY.	1
5	604543	COVER	1
6	632158	CSK HEAD SCREW	1
7	31089	HEX HEAD SCREW M6X18 CL 8.8	2
8	16406	SPRING WASHER	2
9	3055	RAW WASHER(808000527)	2
10	109775	GEAR CONTROL LEVER S/A	1
11	60565	SPRING WASHER	1
12	109404	WASHER OF RABBET(41737)	1
13	B024579	CHANGE CENTRAL TUBE WITH I.P.	1
14	15618	SLT PAN HD SCREW	1
15	16319	BENT SPRING WASHER	1
16	16620	PLAIN WASHER	1
17	12138	NYLOCK NUT M6	1
19	141925	HANDLE	2
20	126902	PROTECTION COLLAR CABLE	1
21	567567	HANDLE BAR BODY	1
22	109635	THROTTLE CONTROL LEVER WITH IP	1
23	587902	ACCELERATOR TUBE ASSY.	1
24	109227	PROTECTION GROMMET	1
25	125181	SPACER	1
26	90511	WIRE GUIDE TERMINAL	1
27	119278	TERMINAL	2
28	118806	PROTECTION BELLOW	2
29	587904	SINTERED WASHER HANDLE BAR (41769)	1
30	31054	HEX HD. SCREW M5X10 CL8.8	1
31	B006853	SPRING HANDLE BAR	1
32	B006851	BRACKET	1
33	B006852	BKT. SPRING MTG. HANDLE BAR	1
34	30104	MOUNTING BOLT M10 X 75	1
35	109397	TUBE WITH TERMINAL	1
36	B024581	CLUTCH CENTRAL LEVER	1
37	B024587	BRACKET ASSEMBLY SWITCH MOUNTING	1
38	B024577	CLUTCH SWITCH	1
39	B024580	SWITCH SUPPORT BKT	1
40	B024477	HANDLE BAR SWITCH (WITH STARTER BUTTON)	1

PLATE-26

Brake - Tandem Master Cylinder ,Brake Pipe And Han

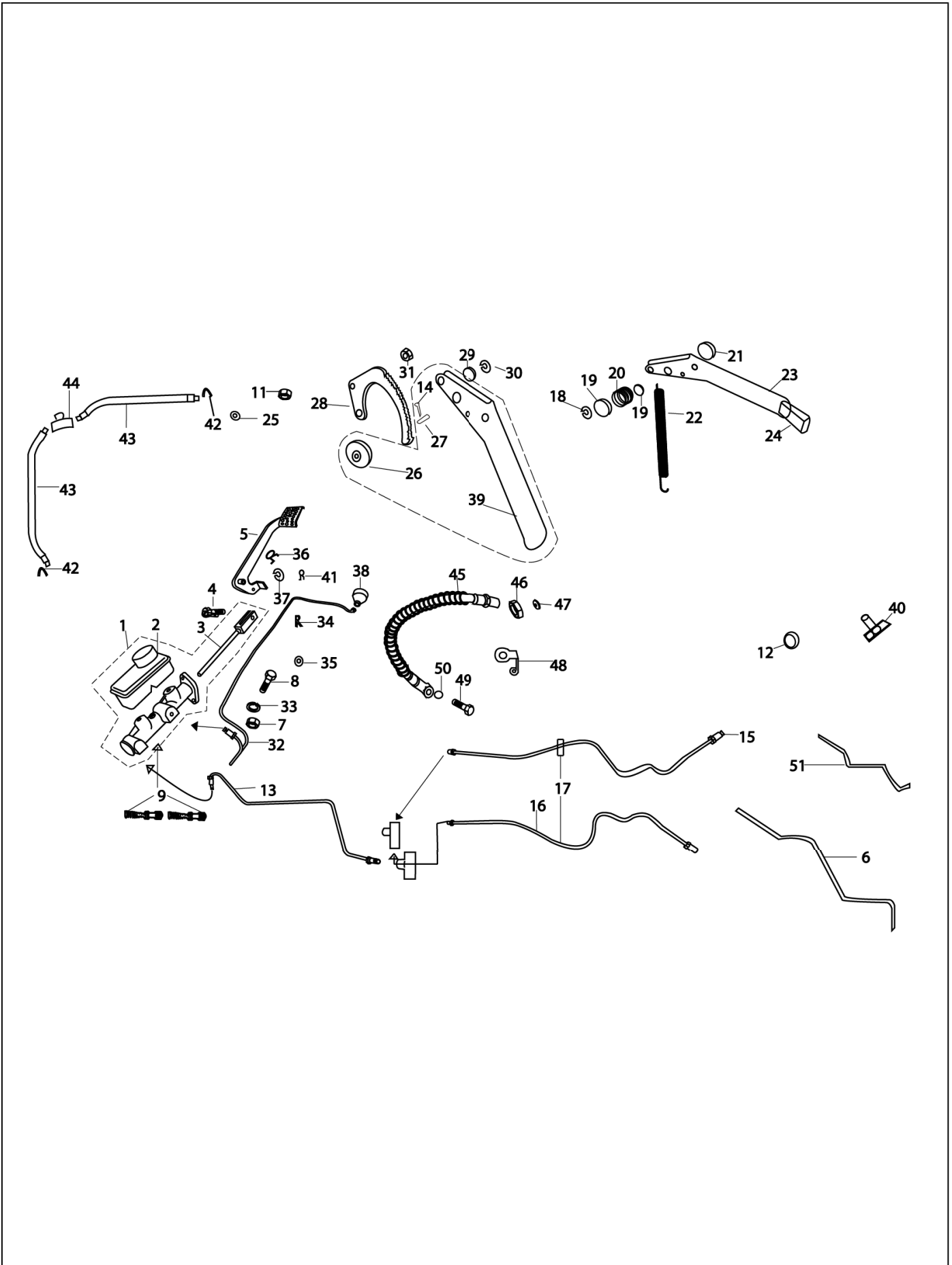


PLATE-26**Brake - Tandem Master Cylinder ,Brake Pipe And Han**

Fig. No.	Part No.	Description	Qty
1	604615	TANDEM MASTER CYLINDER ASSLY	1
	604880	TANDEM MASTER CYLINDER ASSLY.	1
2	604877	BRAKE OIL TANK	1
4	107038	PIN FOR LEVER	1
5	B042203	BRAKE PEDAL WITH FOOT REST ASSLY	1
6	B042203	BRAKE PEDAL WITH FOOT REST ASSLY	2
7	20108	HEX NUT M8	2
8	31122	HEX HD. SCREW M8X30 CL 8.8	2
9	925508	MAJOR KIT TMC (KBX 1008)	1
10	925509	MINOR KIT TMC (KBX 1009)	1
11	20106	HEX NUT M6	2
12	604502	CUP RETAINING SPRING (41733)	2
13	568162	BRAKE TUBE FOR REAR WHEEL	1
14	567920	SPLIT PIN	3
15	B041161	BRAKE PUMP TUBE OF LEFT REAR WHEEL	1
16	B041160	BRAKE PUMP TUBE OF RIGHT REAR WHEEL	1
18	5969	CIRCLIP DIA 9 E TYPE	1
19	6173	METALLIC PLAIN WASHER (808001026)	2
20	108785	SPRING	1
21	108788	SPACER	1
22	567690	REVERSE GEAR COUPLING SPRING	1
23	125411	BACKING COMMAND LEVER	1
24	604717	KNOB FOR R.C.	1
25	16406	SPRING WASHER	2
26	567898	PULLEY FOR HAND BRAKE	1
27	567899	CLEVIS PIN	1
28	567897	RATCHET , HAND BRAKE CONTROL	1
29	16408	SPRING WASHER M8	1
30	6411	EXT CIRCLIP DIA 11	1
31	20108	HEX NUT M8	1
32	568161	TUBE BETWEEN TMC & FRT WHEEL	1
33	16408	SPRING WASHER M8	2
34	567920	SPLIT PIN	1
35	3058	PLAIN WASHER 15X8.4X1.5	1
36	587928	FOOT BRAKE PEDAL SPRING	1
37	229524	WASHER 21X14.3X2	1
38	138237	CAP	1
39	567746	HAND BRAKE CONTROL ASSLY	1
40	119278	TERMINAL	1
41	568737	SPLIT PIN 4 X 25 (821 0425 2 2)	2
42	136916	PLATE FOR RETAINING THE BRAKE FLEX. PIPE	3
43	644814	FLEXIBLE PIPING FOR REAR WHEEL BRAKE	2
44	643692	THREE WAY UNION	1
45	B001581	BRAKE HOSE FR, FLEXIBLE PIPE.	1

PLATE-26

Brake - Tandem Master Cylinder ,Brake Pipe And Han

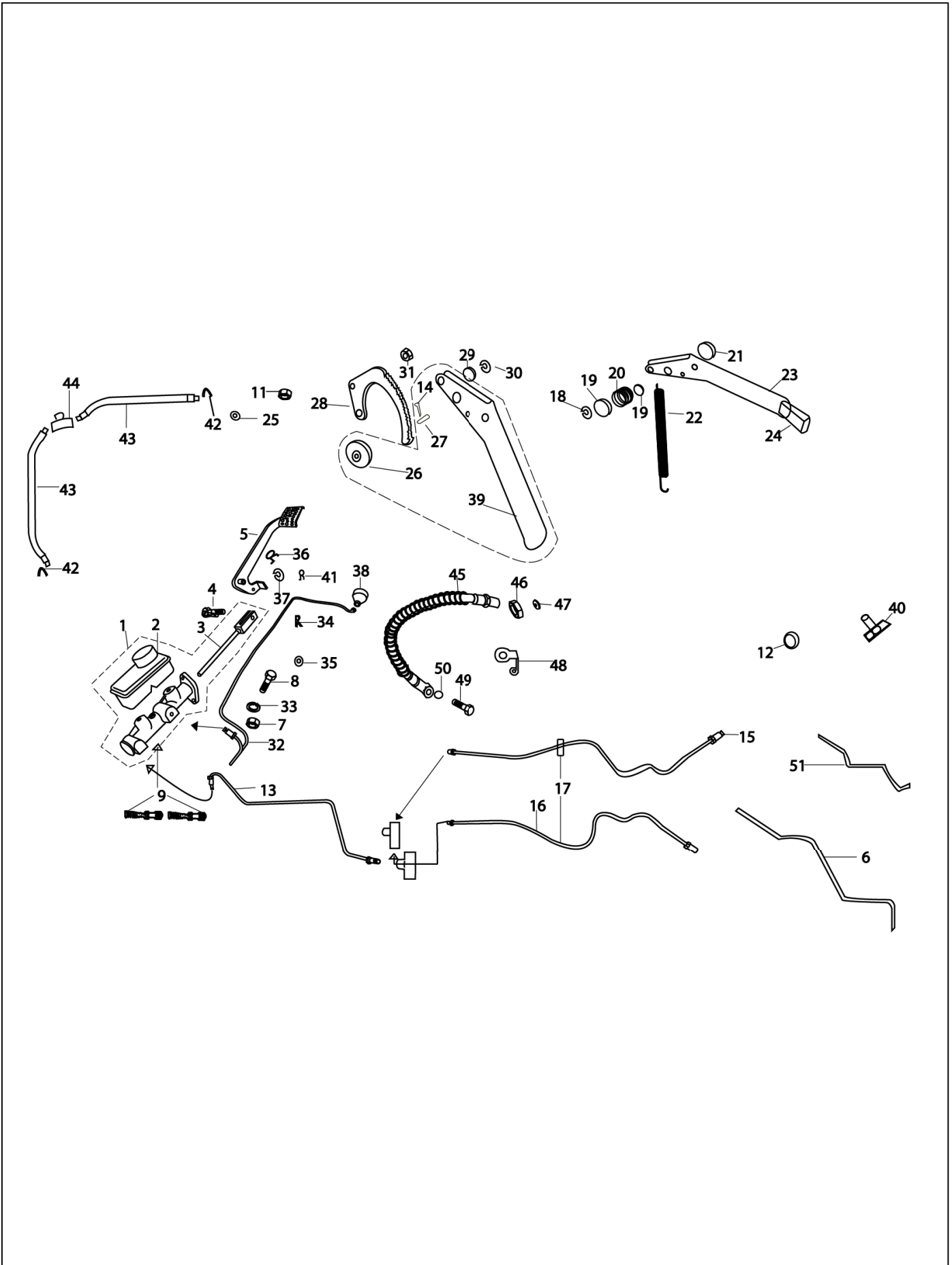


PLATE-26**Brake - Tandem Master Cylinder ,Brake Pipe And Han**

Fig. No.	Part No.	Description	Qty
46	21216	HEX NUT M16 X 1.5	1
47	48197	PL WASHER 24X16X1.5	3
48	B003228	LOCK PLATE FRONT BRAKE HOSE	1
49	587829	BENJO BOLT	1
50	612455	COPPER WASHER M10	1
51	644812	BRAKE PUMP TUBE OF RIGHT REAR WHEEL	1
52	644813	BRAKE PUMP TUBE OF LEFT REAR WHEEL	1

PLATE-27
Electrical Devices

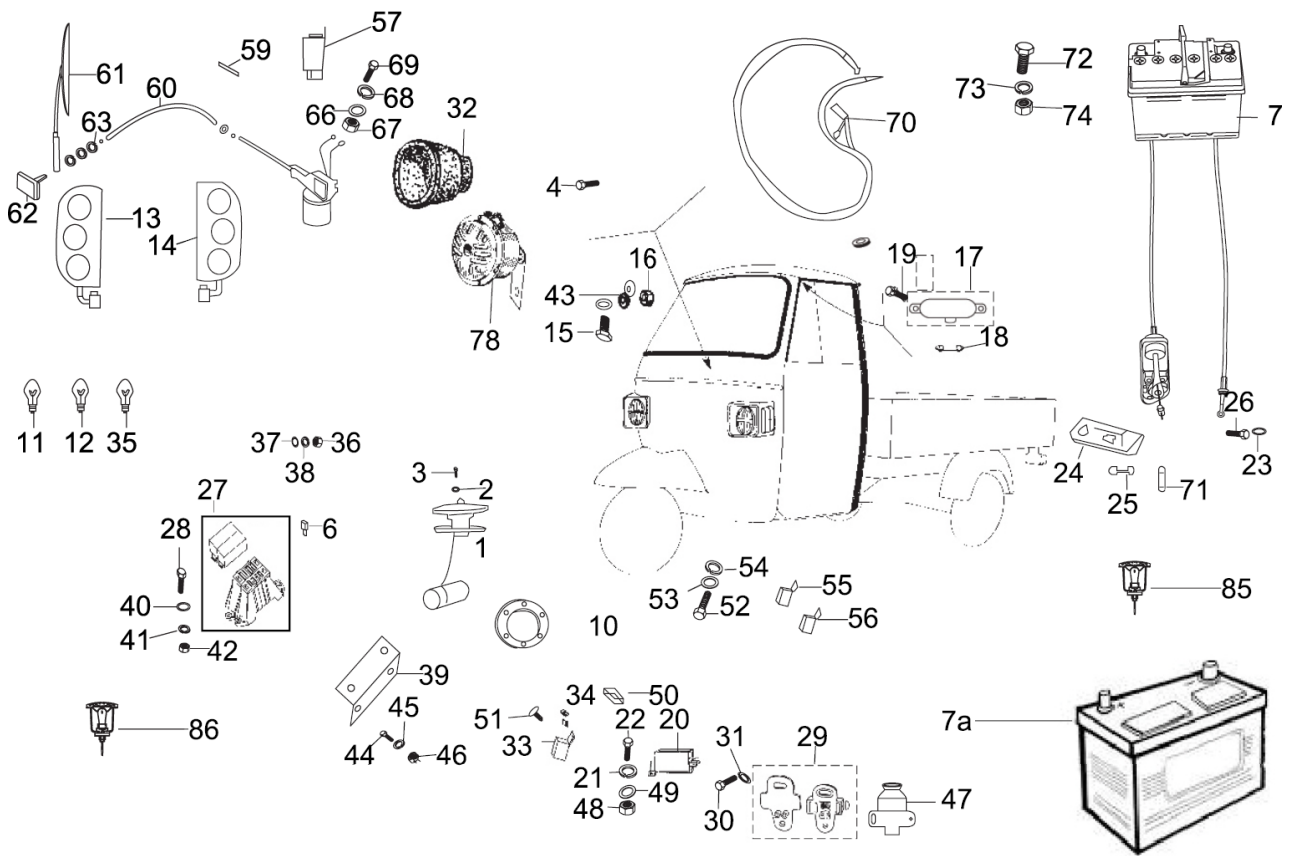


PLATE-27**Electrical Devices**

Fig. No.	Part No.	Description	Qty
1	567878R	TANK UNIT	1
2	16405	SPRING WASHER M5	6
3	31056	HEX HEAD SCREW M5 X 10 - CL8.8	6
4	15640	SCREW SECURING SWITCH	1
5	B024477	HANDLE BAR SWITCH (WITH STARTER BUTTON)	1
6	604557	FUSE (10A)	6
7	652253	BATTERY 12V 35AH	1
7a	652253R	BATTERY 12V-35AH CNG/LPG	1
10	925888	RUBBER GASKET FOR TANK UNIT	1
12	71633	STOP AND PARKING BULB 12V 10/5 W	2
13	B024643	TAIL LAMP ASSY. LH	1
14	B024642	TAIL LAMP ASSY. RH	1
15	31116	HEX HD. SCREW M8X16	1
16	16408	SPRING WASHER M8	1
17	150041R	CABIN LIGHT ASSY. (W/O BULB)	1
18	71633	STOP AND PARKING BULB 12V 10/5 W	1
19	15727	PAN SELF TAPPING SCREW	2
20	B023727R	ELECTRONIC FLASHER	1
21	12546	PLAIN WASHER / MULTI TOOTH LOCK WASHER M5	1
22	31057	HEX HEAD SCREW M5 X 14 CL 8.8	1
23	568721	SPRING WASHER M4	2
24	150915R	REGISTRATION PLATE LAMP ASSY	1
25	71633	STOP AND PARKING BULB 12V 10/5 W	1
26	8451	PAN SELF TP SCREW 6 SGX13 AB	2
27	929910	FUSE BOX WITH FUSE	1
28	31058	HEX HEAD SCREW M5 X 16 CC8.8	2
29	567498R	BRAKE/REVERSE LIGHT SW (INTEGRAL CAP)-PAV	2
30	15996	PHIL RD HD SCREW M4X12	2
31	3054	PLAIN WASHER	2
32	645041	HORN PROTECTION	1
34	567706	FUSE 30 A	1
35	181747	REVERSE LAMP BULB 12V 5W	2
36	12136	NUT / NYLOCK NUT M5	2
37	6078	PLAIN WASHER 12 X 5.2 X 1	2
38	16405	SPRING WASHER M5	2
39	660109	FUSE BOX BKT	1
40	3055	RAW WASHER(808000527)	2
	6078	PLAIN WASHER 12 X 5.2 X 1	2
41	6965	SPRING WASHER	2
42	20105	HEX NUT M5	2
43	3058	PLAIN WASHER 15X8.4X1.5	1
44	31058	HEX HEAD SCREW M5 X 16 CC8.8	2
45	6965	SPRING WASHER	2
46	20105	HEX NUT M5	2

PLATE-27
Electrical Devices

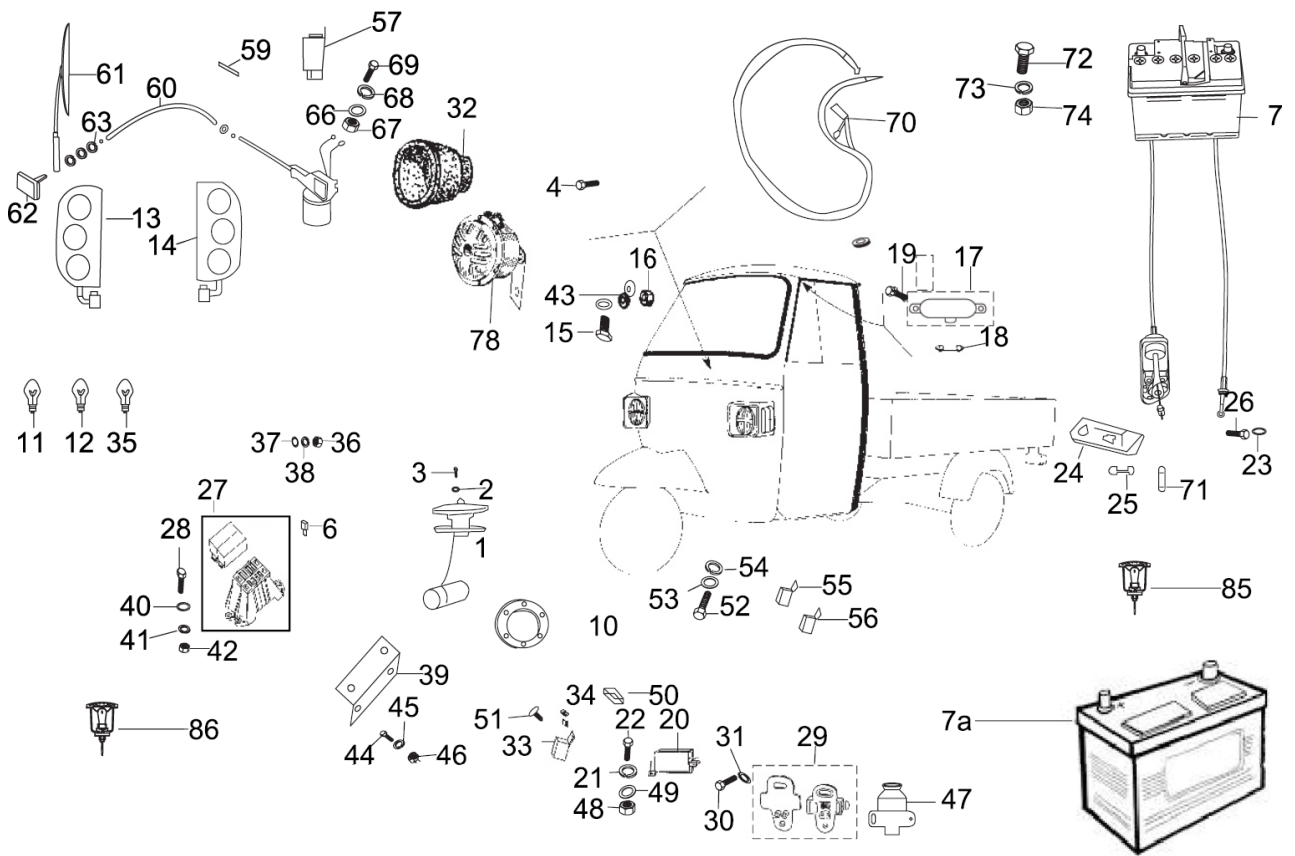


PLATE-27**Electrical Devices**

Fig. No.	Part No.	Description	Qty
47	567747	STOP (BRAKE) SWITCH PROTECTION/PACKING BOOT	1
48	20105	HEX NUT M5	1
49	3055	RAW WASHER(808000527)	1
50	568103	MTG BKT ONE WAY FUSE - HOLDER	1
51	568692	PAN SELF TAP SCREW 6SG X 16AB	1
52	31088	HEX HD SCREW M6 X 16 CL 8.8 (811061623)	1
53	3056	PLAIN WASHER	1
54	16406	SPRING WASHER	1
55	680166	SAFETY STARTER RELAY	1
56	B003727	RELAY 12V-NC - CNG 587671R	1
57	569166	WIPER MOTOR MOUNTING BRACKET	1
58	632995	WIPER MOTOR ASSY. WITH MTG. BKT. (N.I.)	1
59	604506	BUNDY TUBE OUTER	1
60	632285	BUNDY TUBE (MOTOR TO WHEEL BOX)	1
61	632292	WIPER ARM & BLADE ASSY	1
62	569197	WHEEL BOX ASSY. (MOD.)	1
63	569165	DOME NUT	1
64	569177	STRAP ASSY FOR WIPER MOTOR (N.I.)	1
65	569178	RUBBER PAD FOR WIPER MOTO (N.I.)	1
66	16406	SPRING WASHER	1
67	20106	HEX NUT M6	6
68	3056	PLAIN WASHER	6
69	31088	HEX HD SCREW M6 X 16 CL 8.8 (811061623)	6
70	B024948R	BAT + VE _BC SW -4ST REL(CITY 200 C/L)	1
71	925786	ECU - FUSE (2A) (N.I)	1
72	31088	HEX HD SCREW M6 X 16 CL 8.8 (811061623)	2
73	16406	SPRING WASHER	2
74	20106	HEX NUT M6	2
75	632995	WIPER MOTOR ASSY. WITH MTG. BKT. (N.I.)	1
76	643616	CABIN LAMP (N.I.)	1
77	B024187	LENS ASSY REVERSE LAMP	1
78	604667R	HORN SEALED TYPE DIA. 75	1
79	B024641	REAR LAMPS SUPPORT PAX 200 (GREY)	2
80	932290	TAIL LAMP LENS (TURN SIGNAL PAXX 200)	2
81	932291	TAIL LAMP LENS (STOP/TAIL PAXX 200)	2
82	932292	TAIL LAMP LENS REVERSE (PAXX 200)	2
83	932296	HOUSING FOR MP CLUSTER IIL P NO HP55.209	2
84	932295	REFLECTOR (PAXX 200) NZLPL PT P98301SZW	2
85	605403	REAR TURN SIGNAL LAMP ASS	2
86	605404	REAR POSITION AND STOP LI	2

PLATE-28
Electrical Devices

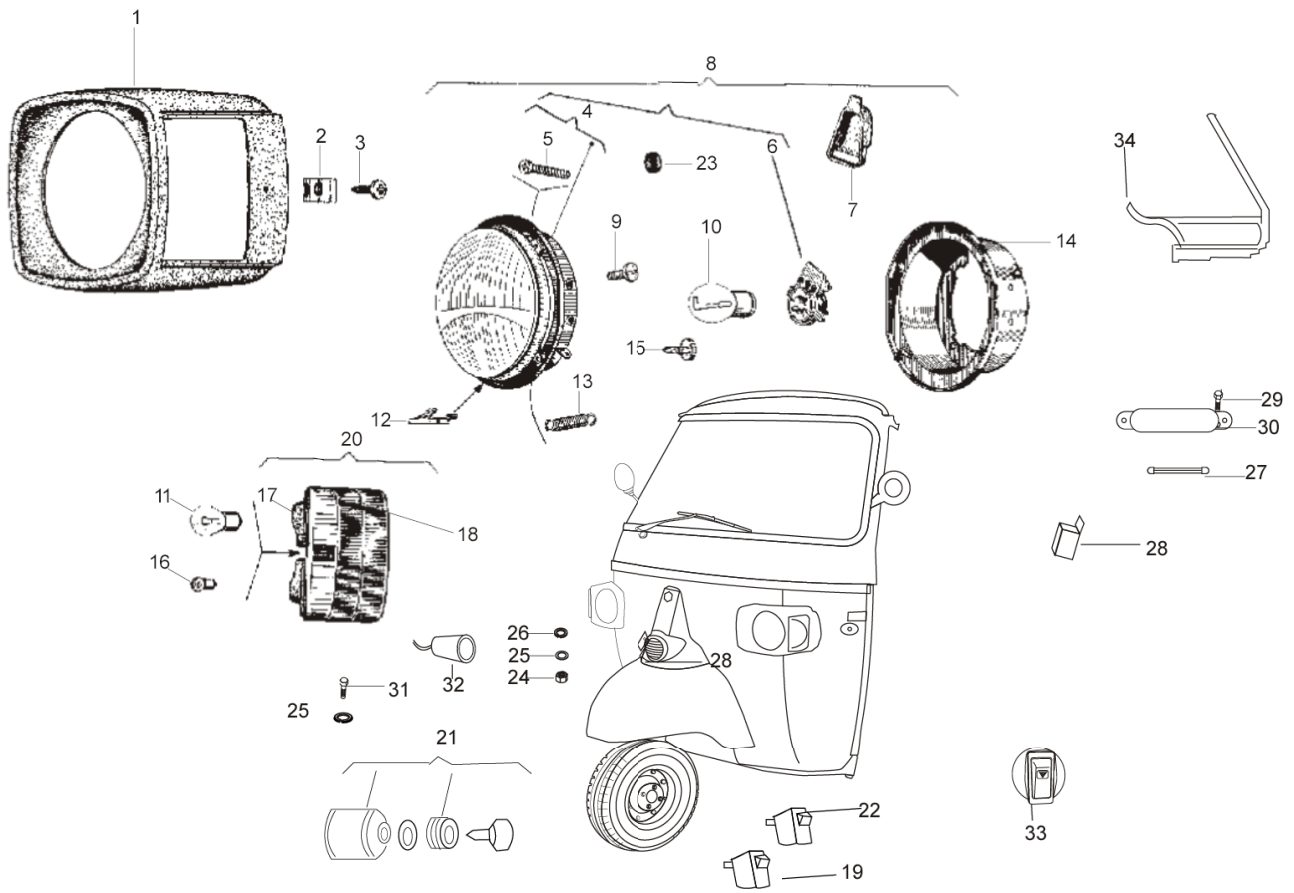


PLATE-28**Electrical Devices**

Fig. No.	Part No.	Description	Qty
1	B025600	SEAT OF LAMP RIGHT	1
	B025601	SEAT OF LAMP LEFT	1
2	8080	SPRING PLATE	2
3	8455	SCREW/PANSELF TAPPING SCREW	2
4	124449	HEAD LAMP	4
5	15641	HEAD LAMP ADJUSTING SCREW	4
6	114121	BULB HOLDER / HOLDER FRONT LAMP	2
7	177559	CAP	2
8	632477R	ASSY. HEAD LAMP WITH LATERAL LAMP RH	1
	632478R	ASSY. HEAD LAMP WITH LATERAL LAMP LH	1
9	8432	SCREW FOR FIXING PARKING LAMP ASSY./PAN SEY TP SC	2
10	219528	BULB 12V 35/35W	2
11	925581	INDICATOR LIGHT BULB 12V 21W AMBER COLOUR	1
12	119735	PROTECTION SECURING SPRING/SPR. FOR PROTECTION	4
13	127179	SPRING FOR HEAD LAMP / SPRING	2
14	185843	HEAD LAMP SUPPORT/RING	2
15	15900	HEAD LAMP SECURING SCREW/PAN SELF TAP SCREW	6
16	567593	BULB 12V 5W / LAMP 4W	2
17	127177	F/PARKING LAMP BODY RH	1
	127176	F/PARKING LAMP BODY LH	1
18	925579	H.L. LATERAL LAMP LENSE RH - NEOLITE	1
	925580	H.L. LATERAL LAMP LENSE LH - NEOLITE	1
	925578	H.L. LATERAL LAMP LENSE LH - LUMAX	1
	925577	H.L. LATERAL LAMP LENSE RH - LUMAX	1
19	587670R	SWITCH 3 POSITION	1
20	B024642	TAIL LAMP ASSY. RH	1
	B024643	TAIL LAMP ASSY. LH	1
	925588	LATERAL LAMP ASSY. RH (LUMAX)	1
	925598	LATERAL LAMP ASSY. L H (LUMAX)	1
21	B024532	KEY IGNITION SWITCH W/COUPLER (PAVNA)	1
22	587974R	WIPER MOTOR SWITCH/ SWITCH WIPER MOTOR	1
23	119975	GROMMET	2
24	20105	HEX NUT M5	2
25	3055	RAW WASHER(808000527)	2
26	16405	SPRING WASHER M5	2
27	71633	STOP AND PARKING BULB 12V 10/5 W	1
28	587671R	4 ST RELAY SOLENOID	1
29	15727	PAN SELF TAPPING SCREW	2
30	567573R	ENGINE COMPARTMENT LAMP ASSY. W/O BULB	1
31	661925	PHILIP PAN HEAD SCREW (M5 X 0.8 X 1.6)	4
32	645153	MOBILE CHARGER W/O LAMP	1
33	660826R	HAZARD WARNING SWITCH WITH CROWN CAP (12V)(VE)	1
34	658810	SPRING FIXING ON RIM HEAD LIGHT	1

PLATE-29

Passenger Auto Rikshaw Body

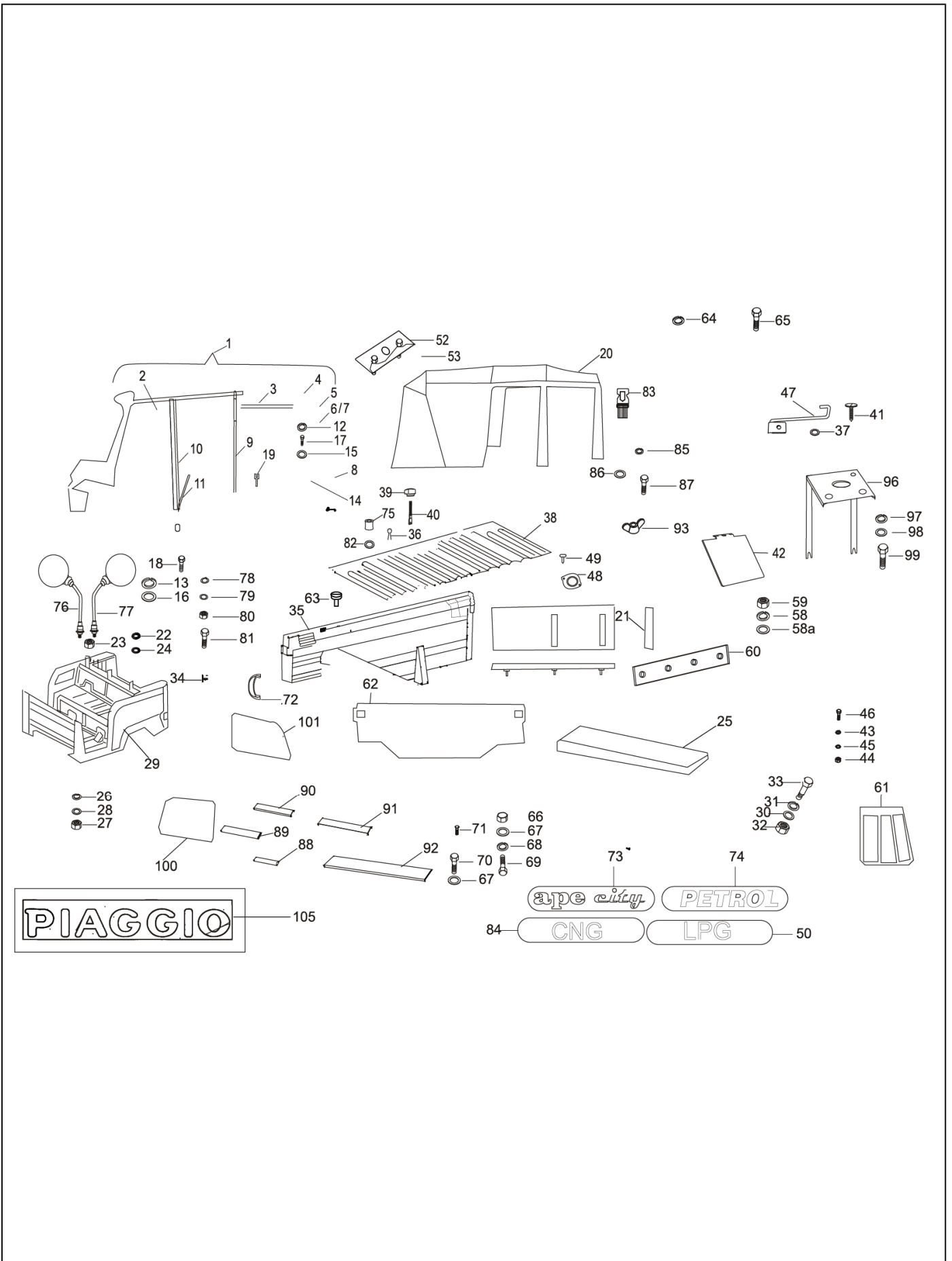


PLATE-29**Passenger Auto Rikshaw Body**

Fig. No.	Part No.	Description	Qty
1	B024345	HOOD FRAME ASSEMBLY (PETROL)	1
	B001431	HOOD FRAME ASSEMBLY (PETROL)	1
2	B024318	PIPE SIDE FRONT	2
	B001918	PIPE SIDE FRONT	2
3	B041186	HORRIZINTAL PIPE NO. 1	2
	B001445	HORRIZINTAL PIPE NO. 1	2
4	B024313	HOOD FRAME REAR SECTION ASSLY	1
	B001432	HOOD FRAME REAR SECTION ASSLY	1
5	B024825	REAR MOST FRAME ASSLY	1
	B002303	REAR MOST FRAME ASSLY	1
6	B041182	VERTICAL PIPE BODY REAR CORNER ASSLY LH	1
	B002305	VERTICAL PIPE BODY REAR CORNER ASSLY LH	1
7	B041184	VERTICAL PIPE BODY REAR CORNER ASSLY RH	1
	B002309	VERTICAL PIPE BODY REAR CORNER ASSLY RH	1
8	B041187	PIPE LUGGAGE COMPARTMET	1
	B002307	PIPE LUGGAGE COMPARTMENT	1
9	B024316	PIPE S/A - MIDDLE	1
	B001434	PIPE S/A - MIDDLE	1
10	B024726	PIPE S/A - BODY HEADER	1
	B001433	PIPE S/A - BODY HEADER	1
11	B024805	BACK REST SUPPORT TUBE ASSLY	1
	B003897	BACK REST SUPPORT TUBE ASSLY	1
12	16406	SPRING WASHER	22
13	16408	SPRING WASHER M8	6
15	3056	PLAIN WASHER	22
16	3058	PLAIN WASHER 15X8.4X1.5	20
17	31088	HEX HD SCREW M6 X 16 CL 8.8 (811061623)	22
18	31118	SCREW M8X20	2
19	568096	SCREW HEAD CAP SCREW M8X20 (819082037)	4
20	B002261	SOFT TOP ASSY (CANVAS) - PETROL	1
	B006332	SOFT TOP ASSY. (CNG/LPG)	1
21	B024345	HOOD FRAME ASSEMBLY (PETROL)	1
22	16408	SPRING WASHER M8	4
23	20108	HEX NUT M8	4
24	3058	PLAIN WASHER 15X8.4X1.5	4
25	B024516	PASS DRIVER SEAT ASSY (CNG/LPG)	1
26	16408	SPRING WASHER M8	2
27	20108	HEX NUT M8	2
28	3058	PLAIN WASHER 15X8.4X1.5	2
29	B024364GY	PASS. BODY ASSY GY - PETROL	1
	B024364BY	PASS. BODY ASSY BY - PETROL	1
	B024835EG	PASSENGER BODY EG - (CNG/LPG)	1
	B024835GY	PASSENGER BODY GY - (CNG/LPG)	1
	B024835BY	PASSENGER BODY BY - (CNG/LPG)	1

PLATE-29

Passenger Auto Rikshaw Body

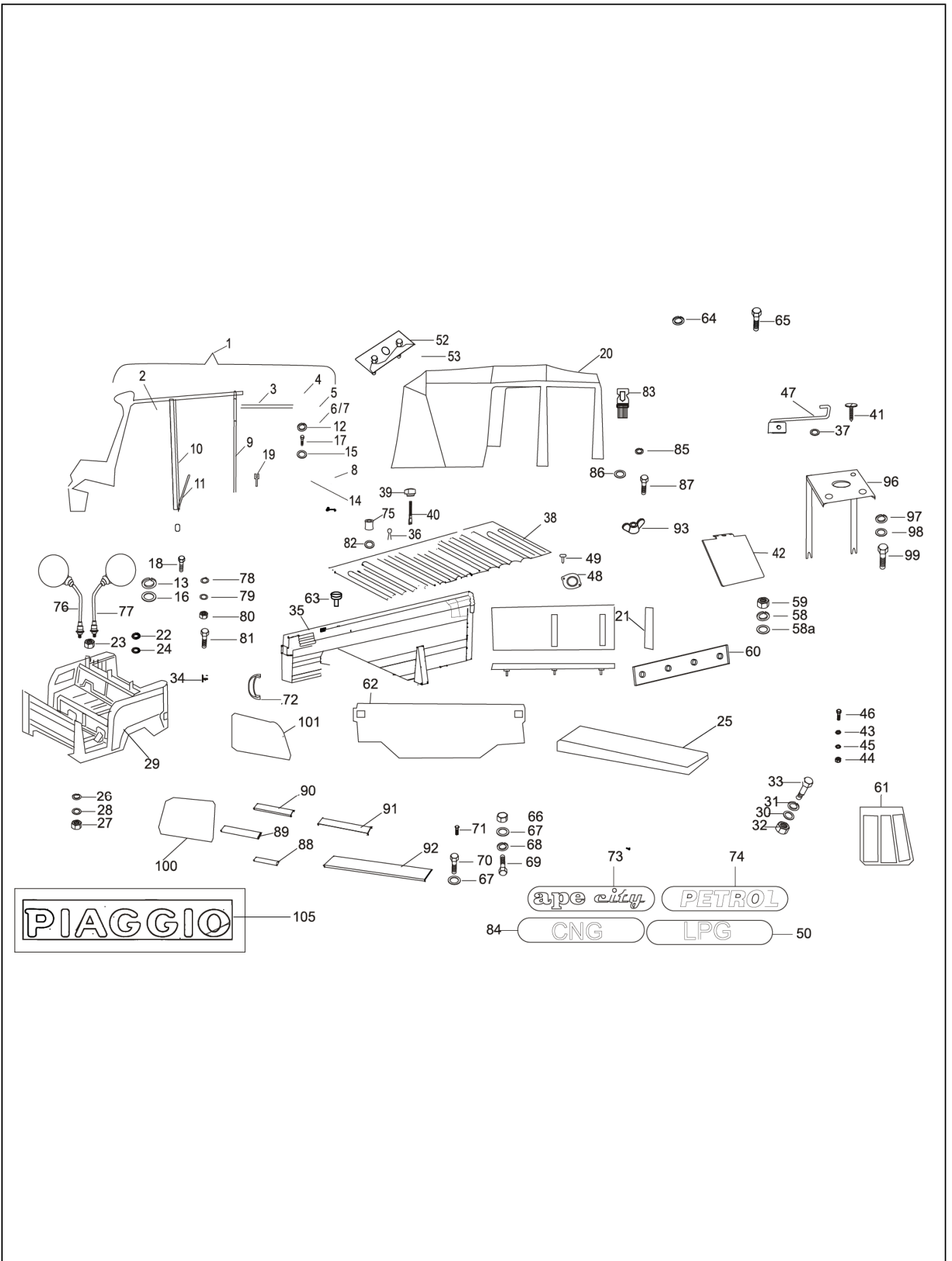


PLATE-29**Passenger Auto Rikshaw Body**

Fig. No.	Part No.	Description	Qty
30	13880	METALIC PLAIN WASHER	8
31	16405	SPRING WASHER M5	8
32	20105	HEX NUT M5	8
33	31057	HEX HEAD SCREW M5 X 14 CL 8.8	8
34	660168	PAN SELF TP. SCREW 10 SGX13AB	12
35	B024402	TAIL GATE ASSY.	1
36	B003422	SPLIT PIN 2.5 X 25	2
37	16670	PLAIN WASHER 12X4.5X1	1
38	B001635	ENGINE COMP. DOOR ASSY. (DIESEL)	1
	B002210	ENGINE COMP. DOOR ASSY. (CNG/LPG)	1
39	B001423	KNOB REAR DOOR	2
40	B001402	SCREW FOR DOOR KNOB	2
41	15911	PAN SELF TAP SCREW 8SG X 16 AB	1
42	643661	LICENSE PLATE MTG. BKT.	1
43	16405	SPRING WASHER M5	4
44	20105	HEX NUT M5	4
45	3055	RAW WASHER(808000527)	4
46	31058	HEX HEAD SCREW M5 X 16 CC8.8	4
47	B001887	STOPPER ASSLY.	1
48	B003076	COVER SHOCKER MTG. HOLE	2
49	8451	PAN SELF TP SCREW 6 SGX13 AB	4
50	B003657	PLATE LPG	1
52	B002208	STRAP WITH PIN SPARE WHEEL MTG.	1
53	20108	HEX NUT M8	2
58	16406	SPRING WASHER	12
58a	13880	METALIC PLAIN WASHER	12
59	20106	HEX NUT M6	12
60	B001788	CLAMP MUDFLAP REAR	2
61	B001789	MUDFLAP MUDGAURD REAR	2
62	B025672CED	REAR VISUAL BARRIER (CED COATED)	1
63	568717	GROMMET ENGINE COMP. DOOR	7
64	16408	SPRING WASHER M8	2
65	31116	HEX HD. SCREW M8X16	AR
66	20108	HEX NUT M8	2
67	116831	PLAIN METALLIC WASHER (826000828)	4
68	16408	SPRING WASHER M8	6
69	30072	HEX HEAD BOLT M8 X 35	2
70	30074	HEX HEAD BOLT M8 X 40 CL 8.8	2
71	31116	HEX HD. SCREW M8X16	AR
72	B003030	COVER TAIL LAMP GAP	2
73	B003358	PLATE APECITY - STICKER	1
74	B003652	PLATE PETROL	1
75	B003654	RUBBER BUSH ENGINE DOO	2
76	B001948R	REAR VIEW MIRROR LH	1

PLATE-29

Passenger Auto Rikshaw Body

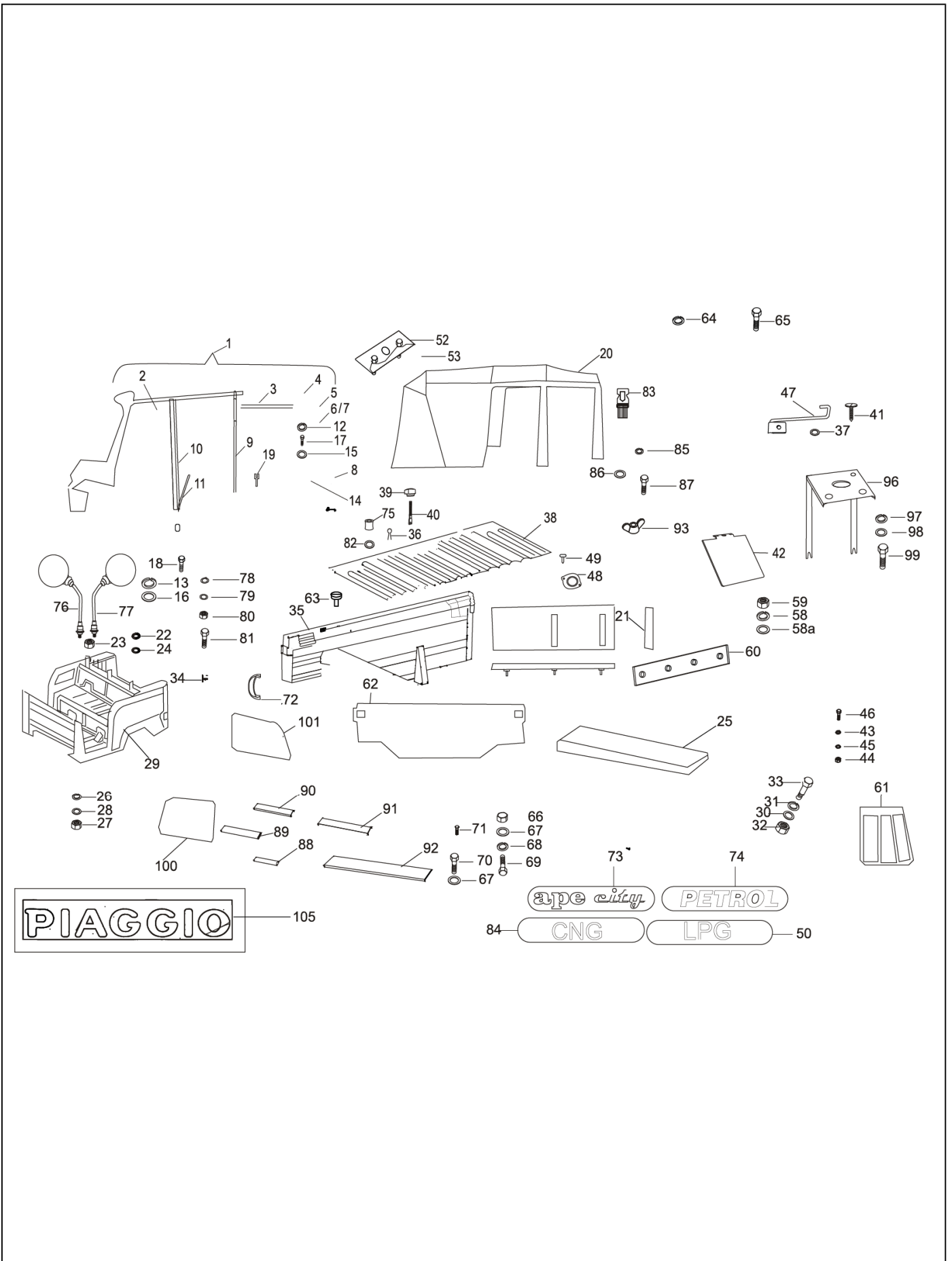


PLATE-29**Passenger Auto Rikshaw Body**

Fig. No.	Part No.	Description	Qty
77	B001949R	REAR VIEW MIRROR RH	1
78	13861	PLAIN WASHER 20X8.2X2.5	2
79	12540	SPRING WASHER M8	2
80	20108	HEX NUT M8	2
81	30072	HEX HEAD BOLT M8 X 35	2
82	16670	PLAIN WASHER 12X4.5X1	2
83	B003502	FEMALE BUTTON ASSY.	AR
84	B003658	PLATE CNG	1
85	16408	SPRING WASHER M8	4
86	3058	PLAIN WASHER 15X8.4X1.5	4
87	31116	HEX HD. SCREW M8X16	4
88	B006598	BEADING (RUBBER PACKING LH/RH)	4
89	B006599	BEADING (RUBBER PACKING REAR LH/RH)	2
90	B006892	BEADING	2
91	B006600	BEADING (RUBBER PACKING REAR MIDDLE)	1
92	B006792	BEADING (INSULATION ENG. COMP. COVER)	2
93	B006593	WING NUT M6	2
96	B002334	FARE METER MTG. BKT.	1
97	16408	SPRING WASHER M8	4
98	3058	PLAIN WASHER 15X8.4X1.5	4
99	31118	SCREW M8X20	4
100	B041118	TRIM PAD SIDE PANEL	2
101	B041217	TRIM PAD SIDE PANEL LH	1
102	B024512	PASSENGER BACKREST	1
103	B003649	FRONT CARPET (PETROL/LPG)	1
104	B001480	CARPET PASS FOOT REST	1
105	662137	PIAGGIO TAIL GATE (SUYASH) STICKER FOR D	1
106	B041459	PLATE FRONT DOME -APE CITY	1

PLATE-30
Wiring Harness



PLATE-30**Wiring Harness**

Fig. No.	Part No.	Description	Qty
1	B023986	WIRING HARNESS - MAIN (PETROL)	1
	B041918	W/HS MAIN CNG	1
	B042063	BATTERY CABLE NEGATIVE	1
2	B024554	WIRING HARNESS INSTRUMENT PANEL-PETROL	1
	B024555	WIRING HARNESS INSTRUMENT PANEL (APE CITY GAS)	1
3	660820	BATTERY CABLE NEGATIVE	1
4	31088	HEX HD SCREW M6 X 16 CL 8.8 (811061623)	1
5	3056	PLAIN WASHER	1
6	16406	SPRING WASHER	1
7	B002183	BATTERY +VE CABLE-CUT STARTER MOTOR (LPG/CNG)	1
	B041880	BATTERY CABLE +VE	1
	B024949R	BATTERY CABLE POSITIVE NO.1(APE PAX200 PETROL)	1
	B002183	BATTERY +VE CABLE-CUT STARTER MOTOR (LPG/CNG)	1
8	B003110	PIG TAIL FUEL TANK (N.I.)	1
9	661492	PIG TAIL CABIN LAMP (PASS UPGRADE)(N.I.)	1
10	B024271	LPG KIT HARNESS (VANAZ APE CITY SM) - (N.I.)	1
11	B024270	WIRE HARNESS VANAZ APE CITY - (N.I.)	1
12	B023968	ENGINE WIRING HARNESS (PET) (CNG&LPG)	1

PLATE-31
Front Brake Assembly

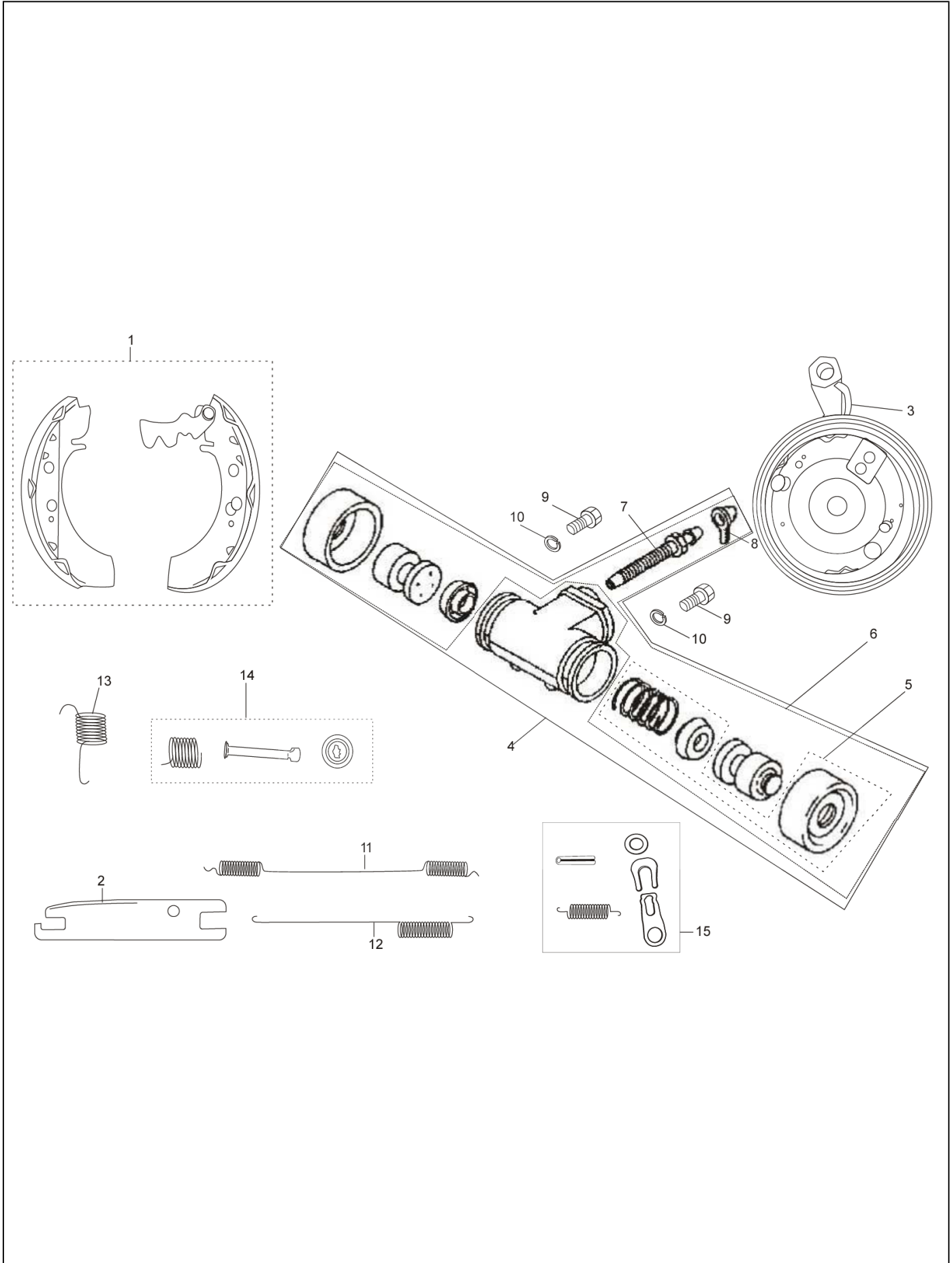


PLATE-31**Front Brake Assembly**

Fig. No.	Part No.	Description	Qty
1	B003326	FRONT BRAKE SHOE KIT	1
2	B003008	STRUT FRONT	1
3	B001222	BRACKET WHEEL CARRIER WITH IP	1
4	20108	HEX NUT M8	1
5	B003325	MINOR KIT WHEEL CYLINDER	1
6	B003324	MAJOR KIT WHEEL CYLINDER	1
9	63440	BOLT M6X12	2
10	12536	SPRING WASHER	2
11	16405	SPRING WASHER M5	1
12	B003003	SHOE RETURN SPRING (LOWER)	1
13	B003002	STRUT SPRING	1
14	B003327	SHOE HOLD DOWN KIT	1
15	B006509	CLIP & PIN KIT	1

PLATE-32
Rear Brake Assembly

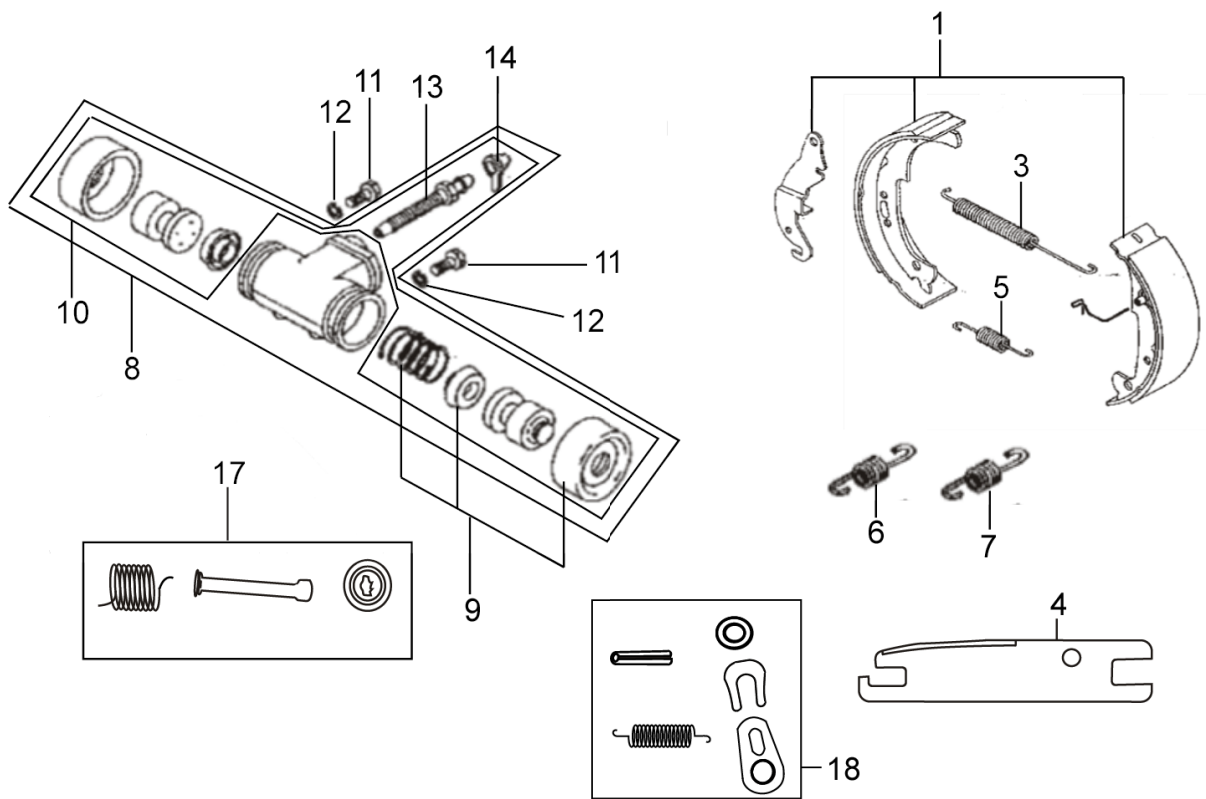


PLATE-32**Rear Brake Assembly**

Fig. No.	Part No.	Description	Qty
1	B003330	REAR BRAKE SHOE KIT LH	1
2	B003331	REAR BRAKE SHOE KIT RH (NI)	1
3	B003004	SHOE RETURN SPRING (UPPER)	2
4	B003012	STRUT REAR	2
5	B003003	SHOE RETURN SPRING (LOWER)	2
6	B003011	STRUT SPRING RH	1
7	B003002	STRUT SPRING	1
8	B003014	WHEEL CYLINDER ASSY. DIA.25.4 MM	1
9	925574	MINOR KIT WHEEL CYLINDER	1
10	B003328	MAJOR KIT WHEEL CYLINDER	1
11	63440	BOLT M6X12	4
12	12536	SPRING WASHER	4
13	B003300	BLEEDER SCREW	2
15	B001228	BRAKE PLATE ASSY. RH	1
16	B001225	BRAKE PLATE ASSY. LH (N.I.)	1
17	B003327	SHOE HOLD DOWN KIT	1

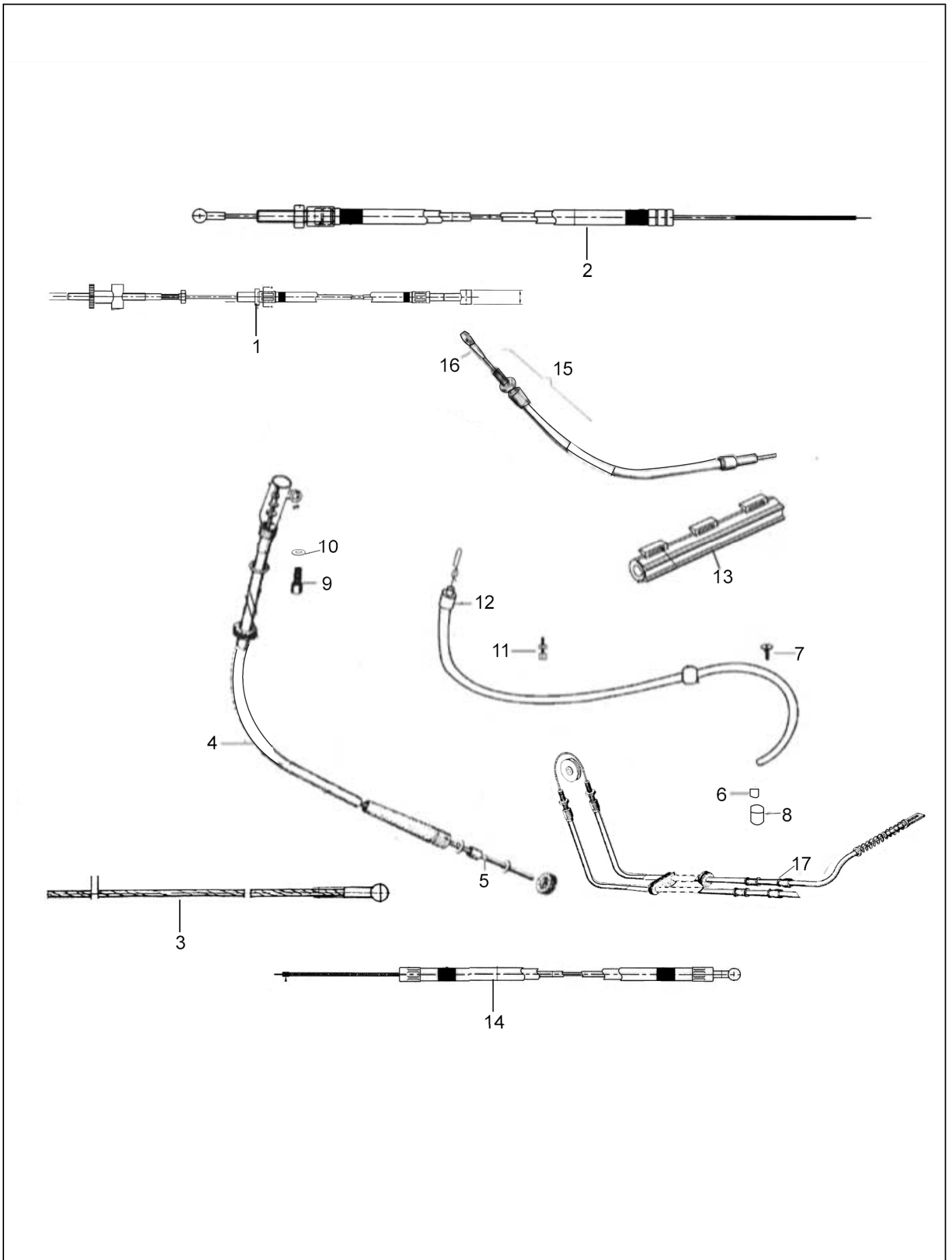


PLATE-33**Cables**

Fig. No.	Part No.	Description	Qty
1	B023919	CLUTCH CONTROL TRANSMISION ASSY.	1
2	B023912	CABLE GEAR CONTROL ASSY. (BLACK)	1
3	B023915	CABLE GEAR CONTROL ASSY NO. 2 (WHITE)	1
3a	B023916	INNER GEAR CONTROL CABLE (BLACK/WHITE)	2
4	645124	SPEEDO CABLE	1
5	587812	TRANSMISSION CABLE (INNER) FOR ODOMETER	1
6	150418	SMALL DISC THK 1.8	3
7	150417	SCREW TERMINAL	1
8	604560	SCREW TERMINAL ASSY. - GEAR CONTROL	2
9	197071	ADJUSTER SCREW M6	2
10	20106	HEX NUT M6	2
12	B023909	CHOKE CONTROL CABLE ASSY	1
13	B024774	SLEEVE FOR ACC. AND CHOKE CABLE	2
14	B023918	GASOLINE CONTROL TRANSMISSION ASSY.	1
15	587633	CABLE, REVERSE GEAR CONTROL ASSY.	1
16	587822	CABLE, REVERSE GEAR WITH TERMINALS.	1
17	B002338	PARKING BRAKE TRANSMISSION SUB ASSY.	1
18	B018546	ACCELERATOR CONTROL TRASMISSION SIDE CAR. (N.I.)	1
19	B018547	CHOKE CONTROL TRASMISSION SIDE CARBURETOR. (N.I.)	1

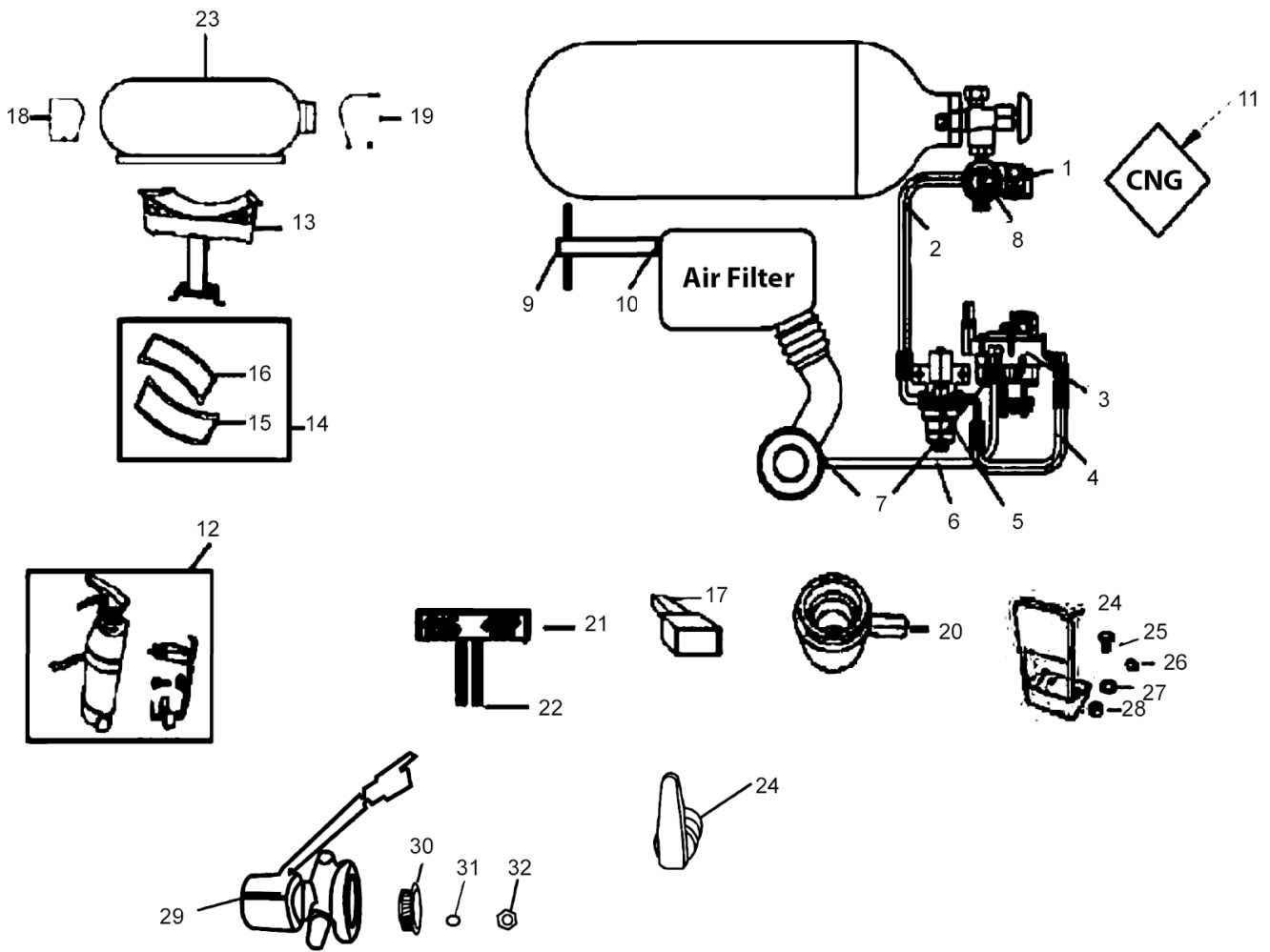


PLATE-34**CNG Kit**

Fig. No.	Part No.	Description	Qty
1	B024131	FIRST STAGE REDUCTION UNIT (HPR)	1
2	932248	FLEXIBLE HOSE ASS'Y (HPR- FILTER SOL. VALVE)	1
3	B024129	ASSEMBLY CNG REGULATOR	1
4	932252	HOSE SOLENOID TO LPR	1
5	932250	FILTER SOL. VALVE WITH BRACKET	1
6	932253	HOSE LOW PRESSURE CNG	1
7	932254	CLIP	2
8	932300	CNG PRESSURE GAUGE WITH SENSOR	1
9	932247	RESTRICTOR -1 FOE CNG/LPG	1
10	932246	RESTRICTOR -2 FOE CNG	1
11	643850	STICKER	2
12	643655R	FIRE EXTINGUISHER	1
13	659870	CENTRAL MTG BRACKET	2
14	604958	STRAPS ASSY.	2
15	604863	UPPER STRAPS ASSY.	2
16	632185	LOWER STRAPS ASSY.	2
17	925786	ECU - FUSE (2A) (N.I)	1
18	B024692	GAS CYLINDER COVER LH ASSY	1
19	B024694	GAS CYLINDER COVER RH ASSY	1
20	932244	MIXTURE ASSY.	1
21	932277	ECU	1
22	932245	KIT WIRING HARNESS	1
23	B024601R	GAS CYLINDER 30LTR.	1
24	632134	PROTECTION FOR CYL. VALVE CNG	1
25	31118	SCREW M8X20	4
26	3058	PLAIN WASHER 15X8.4X1.5	4
27	16408	SPRING WASHER M8	4
28	20108	HEX NUT M8	4
29	932273	COIL ASSEMBLY	1
30	932274	PAPER FILTER	1
31	932275	' O' RING	1
32	932276	DRAIN PLUG	1
34	B009483	CUT OFF SWITCH	1

PLATE-35

Two Stage CNG Regulator

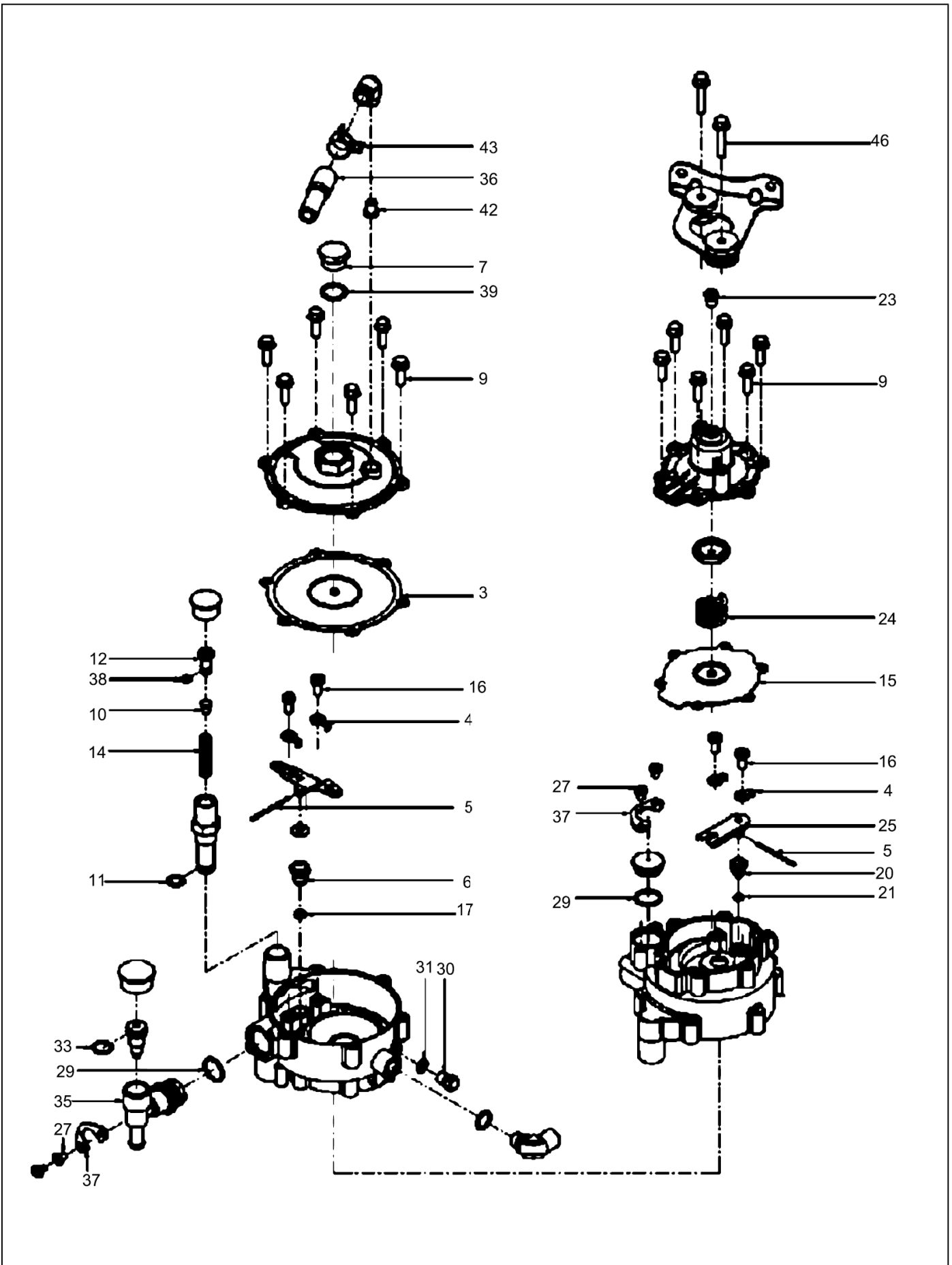


PLATE-35**Two Stage CNG Regulator**

Fig. No.	Part No.	Description	Qty
1	-	BODY	1
3	932207	DIAPHRAGM SUB ASSY.	1
4	932208	WASHER	4
5	932210	LEVER PIN	1
6	932211	SEAT	1
7	932229	PLUG	1
8	-	BODY	1
9	932232	FLANGE SCREW	12
10	932212	SPRING GUIDE	1
11	925781	O' RING	1
12	932226	IDLE SCREW	1
13	-	BODY	1
14	932213	SPRING	1
15	932215	DIAPHRAGM SUB ASSY.	1
16	661909	CHEESE HEAD SCREW	4
17	932214	WASHER	1
18	-	BODY	1
19	-	BODY	1
20	932218	SEAT	1
21	932219	WASHER	1
22	-	BODY	1
23	932230	BREATHER-I	1
24	932216	SPRING	1
25	932217	LEVER SUB ASSY.	1
26	-	BODY	1
27	932220	CHEESE HEAD SCREW	1
28	-	BODY	1
29	932221	O' RING	1
30	932222	PLUG	1
31	932223	O' RING	1
32	-	BODY	1
33	932242	O'RING	1
34	-	BODY	1
35	932224	FLOW CONTROL BODY	1
36	932227	BREATHER HOSE	1
37	932228	CLAMP	2
38	932240	O' RING	1
39	932231	O' RING	1
40	-	BODY	1
41	-	BODY	1
42	-	BODY	1
43	932254	CLIP	1
44	932308	2 STAGE CNG REGULATOR-(PAXX 200)	1
45	-	BODY	1

PLATE-35

Two Stage CNG Regulator

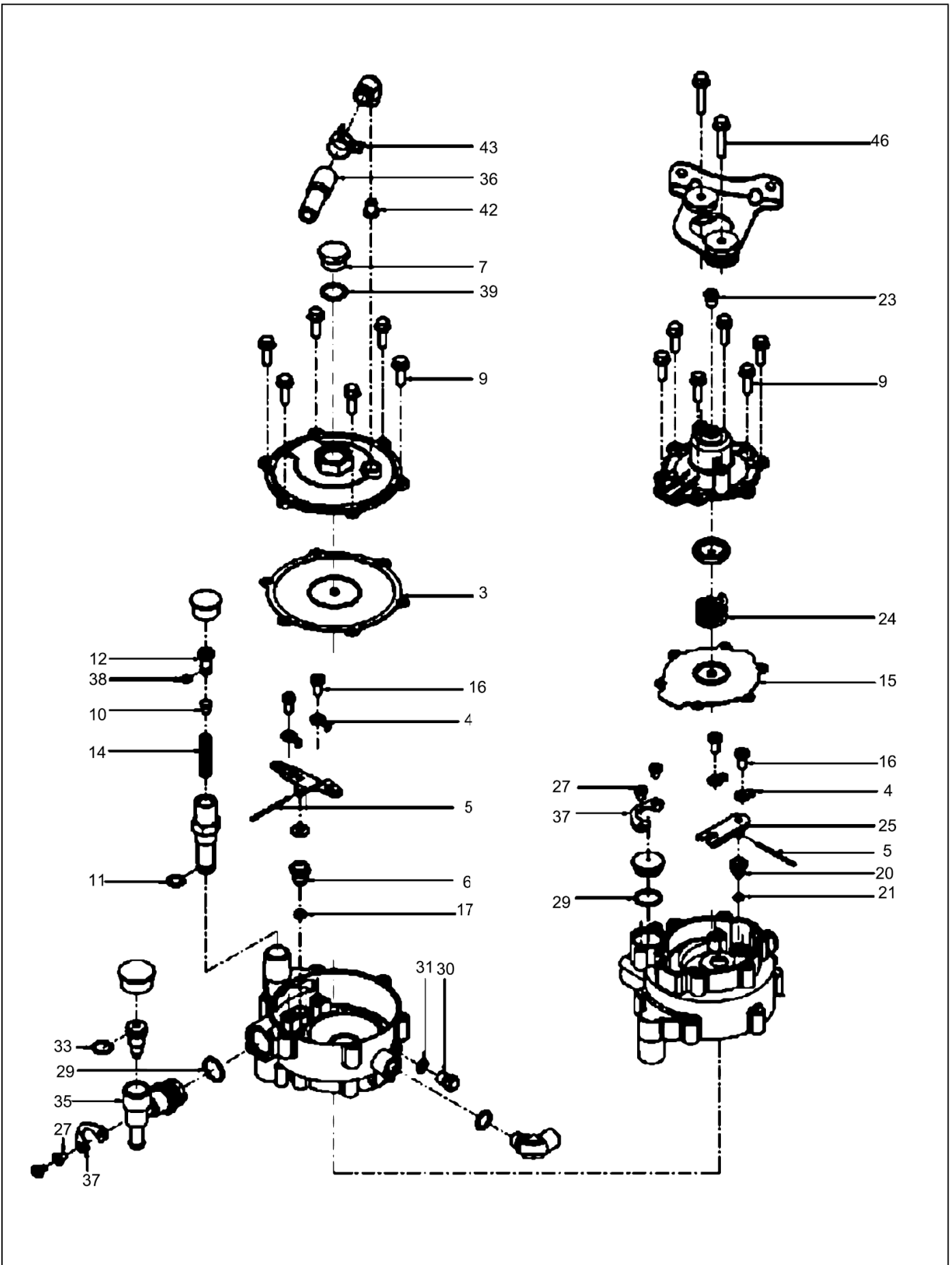


PLATE-35

Two Stage CNG Regulator



Fig. No.	Part No.	Description	Qty
46	932255	FLANGE SCREW	1
47	CM002901	HOSE CLAMP	1

PLATE-36

First Stage Reduction Unit

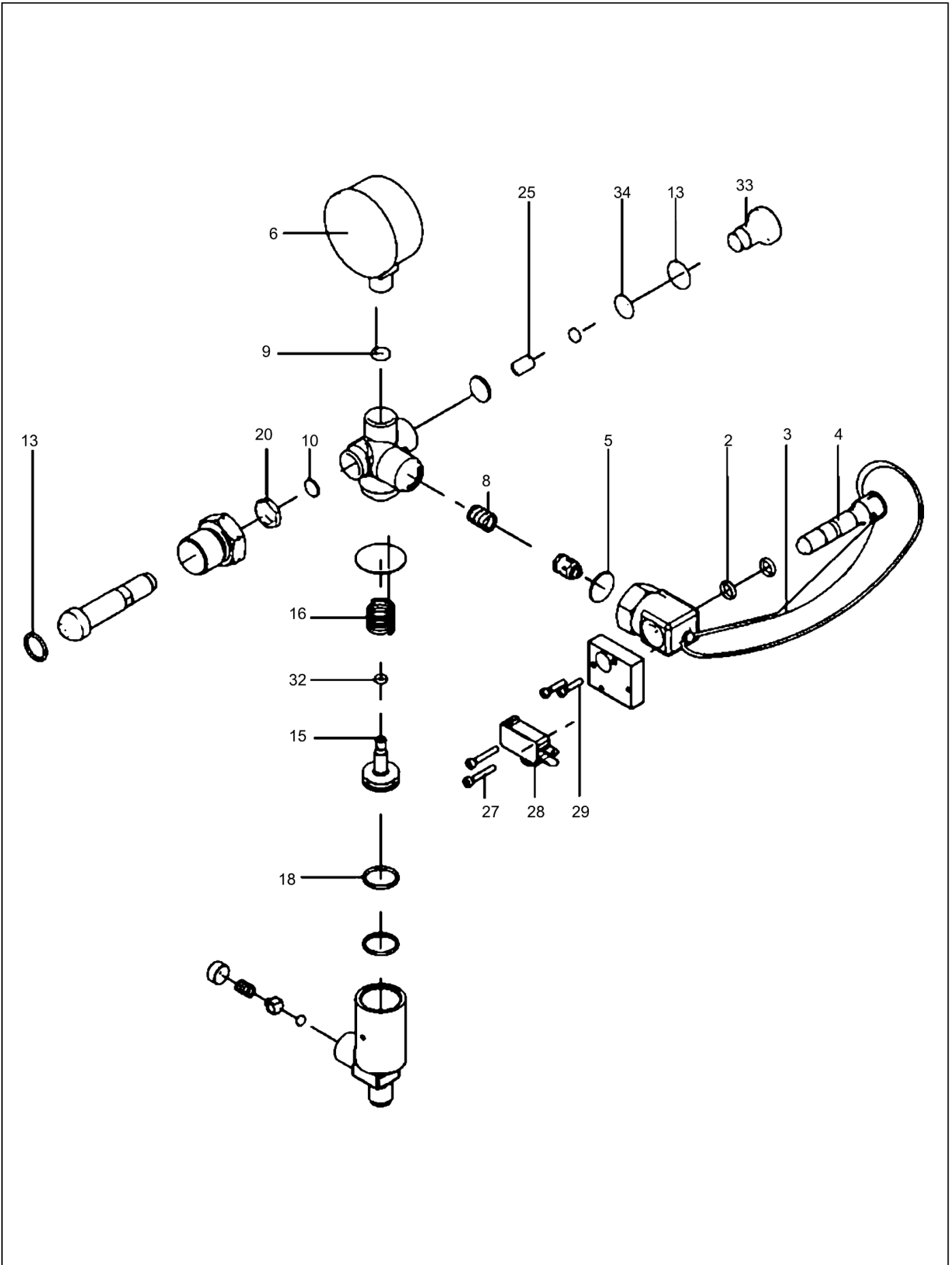


PLATE-36**First Stage Reduction Unit**

Fig. No.	Part No.	Description	Qty
2	929931	O' RING	2
3	929933	STRING	1
4	661399	DUST PLUG	1
5	929934	SEALING WASHER	1
6	932300	CNG PRESSURE GAUGE WITH SENSOR	1
8	929935	SPRING	1
9	932233	WASHER	1
10	929936	WASHER	1
13	932235	O' RING	2
15	932237	PISTON SUB ASSY.	1
16	932236	SPRING	1
18	932238	O' RING	1
20	932239	LOCK NUT	1
25	932243	FILTER	1
27	929938	PHILIPS HEAD SCREW M3 X 20L	2
28	929939	MICROSWITCH	1
29	929940	PHILIPS HEAD SCREW M3 X 15L	2
32	932240	O' RING	1
33	932241	RETAINER	1
34	932242	O'RING	1

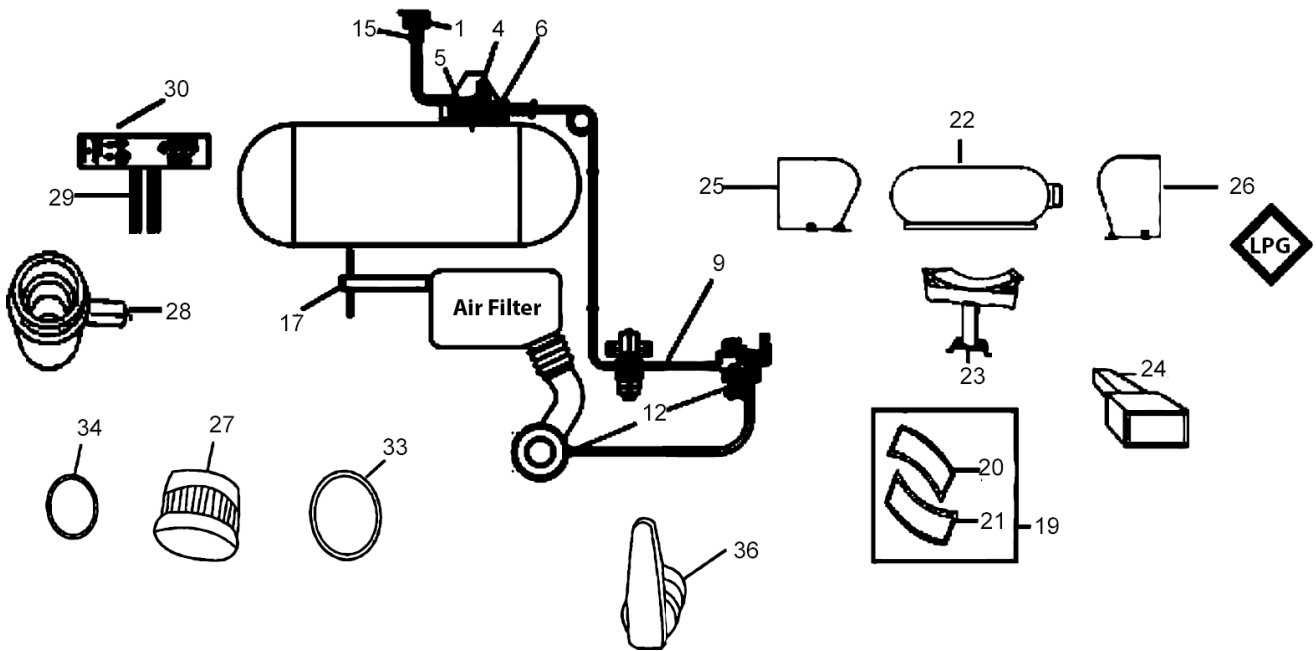


PLATE-37**LPG Kit**

Fig. No.	Part No.	Description	Qty
1	925743	FILLER CONNECTOR WITH CAP	1
4	643866	MULTI FUNCTION VALVE	1
5	643884	ALLEN SCREW	6
6	643883	SEAL BOX	1
9	661735	COPPER TUBE ASSY- FILTER TO LPR	1
12	661910	CLIP	1
13	925722	CLAMP FOR COPPER TUBE	2
15	929925	HOUSING ASSEMBLY FOR FILLER CONNECTOR	2
17	932247	RESTRICTOR -1 FOE CNG/LPG	1
18	932271	RESTRICTOR - 2 FOR LPG	1
19	632183	RUBBER STRAP	2
20	632184	RUBBER STRAP UPPER	2
21	632185	LOWER STRAPS ASSY.	2
22	632186	LPG CYLINDER	1
23	643927	ASSY CENTRAL BRACKET	2
24	925786	ECU - FUSE (2A) (N.I)	1
25	B024692	GAS CYLINDER COVER LH ASSY	1
26	B024694	GAS CYLINDER COVER RH ASSY	1
27	925737	FILTER ELEMENT	AR
28	932266	MIXER ASSEMBLY	1
29	932267	WIRE HARNESS	1
30	932268	ECU	1
31	932272	HOSE REGULATOR TO MIXER	1
33	929948	O RING	1
34	929949	O RING	1
35	920012	SOLENOID SWITCH (MFV)	1
36	B009483	CUT OFF SWITCH	1
37	CM002901	HOSE CLAMP	1

PLATE-38
Two Stage LPG Regulator

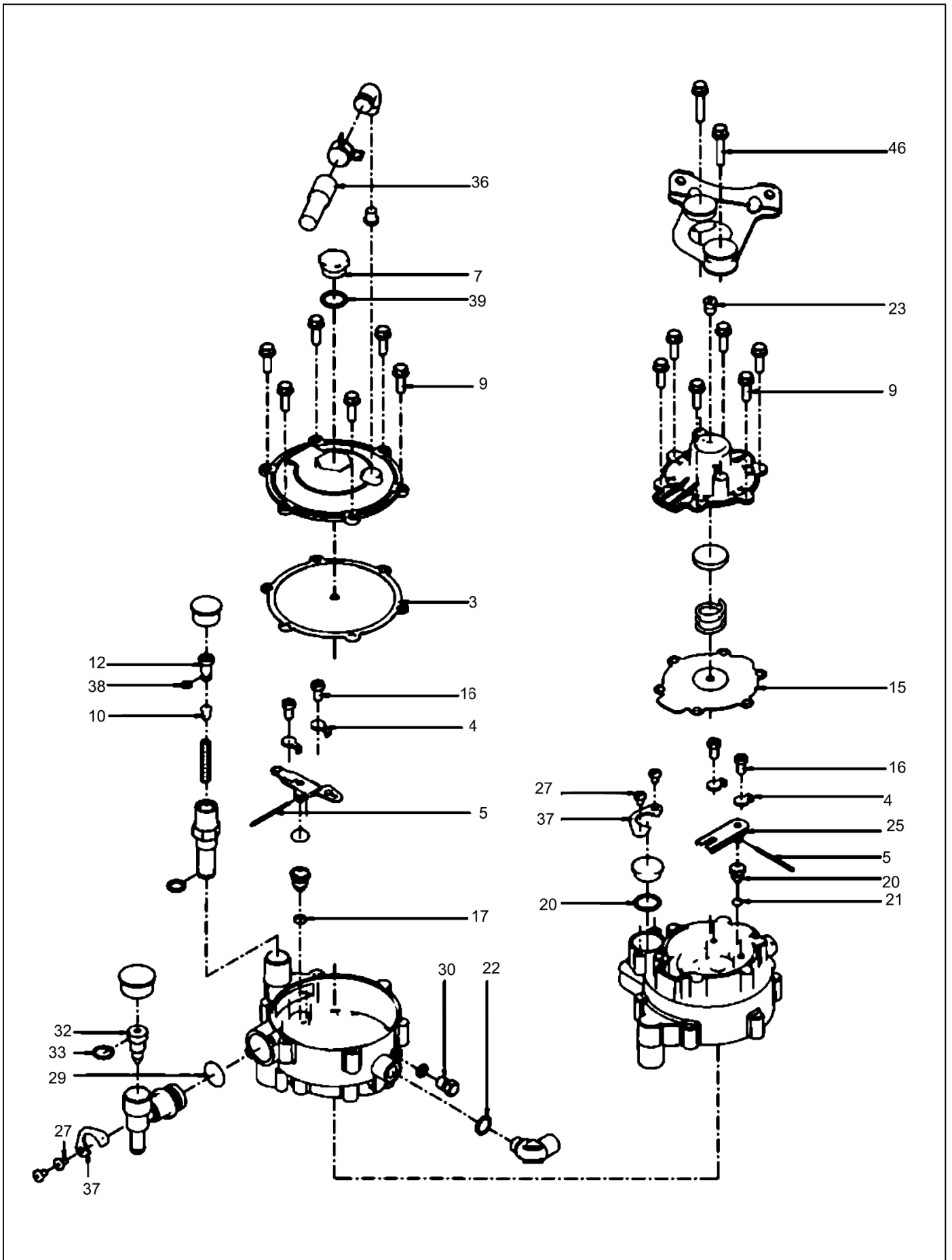


PLATE-38**Two Stage LPG Regulator**

Fig. No.	Part No.	Description	Qty
3	932207	DIAPHRAGM SUB ASSY.	1
4	932208	WASHER	4
5	932210	LEVER PIN	1
6	932263	SEAT	1
7	932229	PLUG	1
9	932232	FLANGE SCREW	12
10	932212	SPRING GUIDE	1
12	932226	IDLE SCREW	1
15	932215	DIAPHRAGM SUB ASSY.	1
16	661909	CHEESE HEAD SCREW	4
17	932214	WASHER	1
20	932218	SEAT	1
21	932219	WASHER	1
23	932230	BREATHER-I	1
25	932217	LEVER SUB ASSY.	1
27	932220	CHEESE HEAD SCREW	1
29	932221	O' RING	1
30	932222	PLUG	1
32	932225	FLOW ADJUSTING SCREW	1
33	932242	O'RING	1
36	932227	BREATHER HOSE	1
37	932228	CLAMP	2
38	932240	O' RING	1
39	932231	O' RING	1
40	932309	2 STAGE LPG REGULATOR-(PAXX 200)	1
43	932270	CLIP	1
46	932255	FLANGE SCREW	1

